



A Volkswagen
with a signature. **Yours**



Accessories

Jetta/SportWagen/GTI/R32/Rabbit Index

Interior	Updated	
Cargo Net.....	01/22/08.....	10
Cargo Partition.....	01/22/08.....	10
Cassette Holder, Driver's Door.....	09/15/07.....	45
Clip-in Blind, Rear Side Window.....	09/15/07.....	12
Door Sill Protection.....	01/22/08.....	37
Floor Mats		
Rubber.....	01/22/08.....	6-7
Tufted Nylon.....	09/15/07.....	4-5
Gearshift Knob.....		29
Gorilla Grips.....		9
Pedal Caps.....	09/15/07.....	11
Rear Seat Cupholder.....	09/15/07.....	43
Rear Window Roller Blind.....		12
Storage Trays.....	01/22/08.....	9, 44
Styling Trim Kit.....	07/01/07.....	42
Tie Down Hook.....	01/22/08.....	38
Trunk Liner.....	01/22/08.....	8
Trunk Organizer.....	01/22/08.....	9
Underseat Glovebox.....	01/22/08.....	31

Exterior		
Body Kits		
Front Valance.....	09/15/07.....	30
Rear Diffuser.....	07/01/07.....	35
Rear Valance.....	01/22/08.....	34
Side Molding.....	09/15/07.....	31
Side Skirt.....		31
Cable & Lock Set.....		14
Car Cover.....	01/22/08.....	14
Chrome Mirror Caps.....	01/22/08.....	36
Chrome Rear Accent Strip.....	01/22/08.....	36
Cooling Air Grilles.....	09/15/07.....	35
Exhaust Tips/System.....		41
Fog Light Kit.....	09/15/07.....	43
Front Bumper Hole Plugs.....		29
Front End Cover.....	01/22/08.....	13
Front Grille, GTI.....	01/22/08.....	40
License Plate Frame.....	See Car Care Section	
Park Distance Sensors.....		38
Rear Bumper Protectors.....	01/22/08.....	35
Rear Seat Cupholder.....	09/15/07.....	43
Specialized Tail Lamps.....	01/22/08.....	40
Splash Guards.....	01/22/08.....	24
Spoiler (Rear).....	09/15/07.....	32-33
Sport Springs.....	01/22/08.....	39
Sunroof Air Deflector.....	01/22/08.....	29

Wheels		
Alloy Wheels.....	01/22/08.....	25-27
Lockable Wheel Bolts.....		28
Snow Chains.....		28
Suspension Limiters.....	01/22/08.....	28
Valve Stem Caps.....	See Car Care Section	

Racks		
Bike Holder		
Fork Mount Holder.....	01/22/08.....	17
Single Bike Holder.....	01/22/08.....	16
Carrier Bars.....	01/22/08.....	15
Kayak Rack Attachment.....		22
Luggage Basket.....		19
Luggage Platform.....		18
Roof Box Carrier Attachment.....	01/22/08.....	46
Soft Luggage Carrier.....		18
Snowboard/Ski Attachment.....	01/22/08.....	20
Snowboard/Ski Attachment Deluxe.....		21
Surfboard Attachment.....	01/22/08.....	23

Electronics		
iPod Adapter.....	01/22/08.....	3
Telephone Console.....	01/22/08.....	2

Phone & Electronics Console



Suggested Retail Labor Time: **130**

Part No.	Description	Application
1K1 051 601 01C	Telephone Console black	Jetta/Jetta GLI 05.5 ▶ SportWagen 09 ▶▶ GTI 06.5 ▶ Rabbit 06.5 ▶ R32 08

- Mount on the dash panel to the right side. Does not impair the function of air bags, glove box seat adjustment or gear change
- The Console is a mount for mobile cell phone, PDA or other personal electronics

iPod Adapter



Suggested Retail Labor Time: **150**

Passat shown

Part No.	Description	Application
1K0 051 444	iPod Adapter	Jetta 05.5 ▶ SportWagen 09 ▶ GTI 06.5 ▶ Rabbit 06.5 ▶ R32 08

This iPod adapter is intended to be connected to VW Original Radio/Radio Navigation Systems with a CD changer control system, and uses the same wiring connector positions as a CD Changer, Aux Jack, or USB Connector. It will fit both older 1-DIN devices and new generation devices with a Quadlock connection.

Single input system.

If you fit this iPod Adapter to a standard VW Radio as a Dealer Installed Accessory, or as a Factory installed option, the CD Changer, Aux Jack, or USB connector will be non-functioning. It is not possible to connect and operate two audio devices.

Multi input system.

Vehicles with Radio Navigation System equipped with CD Changers, Aux Jack or USB Connectors are not impacted by the installation of this iPod adapter.

The integrated radio CD/DVD player and satellite radio system is NOT affected by the addition of the 1K0 051 444 iPod adapter.

See Accessory Circular #059-08-06 for answers to Frequently Asked Questions about the use and applications of the iPod Adapter.

Premium Floor Mats – Jetta

Note: The oval retention clip is changing to a round retention clip, starting with some 2007 model years. It is important to verify whether the vehicle in question has the oval retention clip, or the larger diameter new round style retention clip, which is a running change. Due to model year production dates, always confirm the retention clip configuration prior to sale.

Part No.	Description	Application
1KM 061 270P	Textile Premium Floor Mats set of 4 front, rear (front Jetta logo) (oval retention clip)	Jetta 05.5 ▶ 07
1KM 061 270PB	(new style round retention clip)	Jetta 08 ▶ SportWagen 09 ▶

Color Code:

RYJ Euro Black
RYL Euro Beige
RYK Euro Gray

3D0 898 501 ***	1 set securing parts, oval clips
3D0 898 501B ***	1 set securing parts, new style round clips
3C0 061 795 9B9	1 set of 4 clips, new style round clips

***Color Code: **71N** Black



Premium Floor Mats – GTI

1K1 061 271PA RYJ	Textile Premium Floor Mats set of 4 front, rear (front GTI logo) red edging (oval retention clip)	GTI 06.5 ▶ 07
1K1 061 271PB RYJ	(new style round retention clip)	07.5 ▶

Color Code:

RYJ Euro Black

3D0 898 501 ***	1 set securing parts, oval clips
3D0 898 501B ***	1 set securing parts, new style round clips
3C0 061 795 9B9	1 set of 4 clips, new style round clips

***Color Code: **71N** Black

- Twist/Toggle fastening
- Anti-slip coating on reverse side



Premium Floor Mats – Rabbit

1K1 061 272PA RYJ	Textile Premium Floor Mats set of 4 front, rear (front Rabbit logo)	Rabbit 06.5 ▶ 07
1K1 061 272PB RYJ	(new style round retention clip)	07.5 ▶

Color Code:

RYJ Euro Black

- Twist/Toggle fastening
- Anti-slip coating on reverse side

3D0 898 501 ***	1 set securing parts, oval clips
3D0 898 501B ***	1 set securing parts, new style round clips
3C0 061 795 9B9	1 set of 4 clips, new style round clips

***Color Code: **71N** Black



Floor Mats – Jetta

Part No.	Description	Application
1K0 061 226E	Textile Floor Mats set of 2 rear, no logo	Jetta 05.5 ▶

Color Code: **RYJ** Euro Black
RYL Euro Beige
RYK Euro Gray

Single Components:

3D0 061 795 3U6	Fastening cover and holder (oval retention clip)
3D0 061 796 3U6	Fastening stud Euro Black (oval retention clip)



Floor Mats – GTI

1K1 061 225E	Textile Floor Mats set of 2 front, no logo	GTI 06.5 ▶ 07
---------------------	---	---------------

Color Code: **RYJ** Euro Black

Single Components:

3D0 061 795 71N	Fastening Euro Black
------------------------	----------------------

1K0 061 226E	Textile Floor Mats set of 2, rear, no logo
---------------------	---

Color Code: **RYJ** Euro Black

Single Components:

3D0 061 795 71N	Fastening Euro Black (oval retention clip)
3D0 061 796 71N	Fastening stud (oval retention clip)



Floor Mats – Rabbit

1K1 061 225E	Textile Floor Mats set of 2 front, no logo	Rabbit 06.5 ▶ 07
---------------------	---	------------------

Color Code: **RYJ** Euro Black
RYL Euro Beige
RYK Euro Gray

Single Components:

3D0 061 795 71N	Fastening Euro Black
------------------------	----------------------

1K0 061 226E	Textile Floor Mats set of 2, rear, no logo
---------------------	---

Color Code: **RYJ** Euro Black
RYL Euro Beige
RYK Euro Gray

Single Components:

3D0 061 795 71N	Fastening Euro Black (oval retention clip)
3D0 061 796 71N	Fastening stud (oval retention clip)



Single Component Color Code:

Q70	Light Beige	G78	Beige
U71	Flannel Gray	71N	Anthracite
B41	Satin Black	3U6	Art Gray

Floor Mats – Jetta

Part No.	Description	Application
	Floor Mats Deep Groove "Monster" Mats	
1KM 061 550H 041	Set of four with Jetta logo (oval retention clip)	Jetta 05.5 ▶ 07
1KM 061 550HA 041	Set of four with Jetta logo (new style round clip)	Jetta 08 ▶ SportWagen 09 ▶
1K1 061 551H 041	Set of four, honeycomb pattern with GLI logo (oval retention clip)	GLI 06.5 ▶ 07
1K1 061 551HA 041	Set of four, honeycomb pattern with GLI logo (new style round clip)	GLI 08 ▶

- High quality mats, made to take the abuse of an active life style
- Help protect vehicle carpet from snow, sand, mud, rain and slush
- Positive retention clip and a ribbed back help ensure mats stay in place



Floor Mats – GTI, R32

	Floor Mats	
1K1 061 550H 041	Set of four, honeycomb pattern with red GTI logo (oval retention clip)	GTI 06.5 ▶ 07
1K1 061 550HA 041	Set of four, honeycomb pattern with red GTI logo (new style round retention clip)	GTI 07.5 ▶
1K1 061 554HA 041	Set of four, (new style round retention clip)	R32 08



Floor Mats – Rabbit

	Floor Mats Deep Groove "Monster" Mats	
1K1 061 553H 041	Set of four with Rabbit logo	Rabbit 06.5 ▶ 07
1K1 061 553HA 041	Set of four, with Rabbit logo (new style round retention clip)	Rabbit 07.5 ▶



- The especially thick styled rubber mats not only protect from soiling and wet but also support the feet making long journeys more comfortable

Single Components:

3D0 898 501 ***	1 set Mat securing parts, oval clips
3D0 898 501B ***	1 set Mat securing parts, new style round clips
3C0 061 795 9B9	1 set of 4 Mat clips, new style round clips

***Color Code: 71N Black

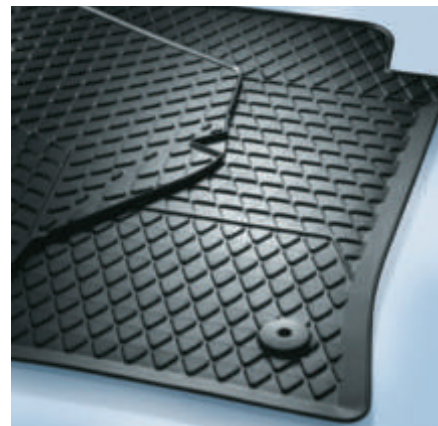
Self Threading Carpet Anchors:

 3D0 061 494 A	1 set of 4 self threading anchors, Phillips head
 3D0 061 796	1 set of 4 self threading anchors, twist-knob head



Floor Mats – Jetta

Part No.	Description	Application
	Rubber Floor Mats set of 2 Front, set of 2 Rear	
1KM 061 501 041	front, black (oval retention clip)	Jetta 05.5 ▶ 07
1KM 061 501A 041	front, black (new style round clip)	Jetta 08 ▶
		SportWagen 09 ▶
1K0 061 511 041	rear, black	Jetta 05.5 ▶ 07
		SportWagen 09 ▶
1KM 061 501 528	front, gray	Jetta 05.5 ▶ 07
1KM 061 501A 528	front, gray (new style round clip)	Jetta 08 ▶
		SportWagen 09 ▶
1K0 061 511 528	rear, gray	



- Waffle pattern, available as a set of two, front or rear
- Designed to help protect the O.E. carpeting in all kinds of weather

Floor Mats – GTI

	Rubber Floor Mats set of 2 Front, set of 2 Rear (oval retention clip)	
1K1 061 501 041	front, black (with Golf logo)	GTI 06.5 ▶ 07
1K0 061 511 041	rear, black	GTI 06.5 ▶ 07
1K1 061 501 528	front, gray (with Golf logo)	GTI 06.5 ▶ 07
1K0 061 511 528	rear, gray	GTI 06.5 ▶ 07



Trunk Liner – Jetta



1KM 061 180	Trunk Liner	Jetta	05.5 ▶
--------------------	-------------	-------	--------

- The practical boot protection with Jetta logo is washable, non-slip, acid resistant and low-emission
- The 2 inch (5 cm) raised edge prevents liquids running out onto the vehicle floor
- Color: anthracite

Trunk Liner – GTI, R32, Jetta



Part No.	Description	Application
	Trunk Liner black, flexible, with Golf or Jetta logo	
1K0 061 181		R32 08 GTI 06.5 ▶
1K9 061 181		Jetta SportWagen 09 ▶
1KM 061 180		Jetta Sedan 05.5 ▶
	<ul style="list-style-type: none"> • Provides luggage compartment protection • Washable, non-slip, acid resistant and low-emission • The edge stands approx. 2 inches (5 cm) high all round, preventing liquids from running out 	

Gorilla Gear Cargo Liner



1K0 061 166H 469	Gorilla Gear Cargo Liner textile coating, includes Gorilla Gear organizer blocks	R32 08 GTI 06.5 ▶ Rabbit 06.5 ▶
1KM 061 166H 469		Jetta/GLI 05.5 ▶
1K9 061 166H 469		SportWagen 09 ▶
	<ul style="list-style-type: none"> • Luggage compartment loadliner with textile coating • Gorilla Grips organizer blocks included, to fasten tightly to the looped polywear surface, securing luggage 	



Gorilla Grips



Part No.	Description	Application
ZVW 380 301	Gorilla-Grips set of 4	All with Gorilla Gear Mat

- Designed to work with the Gorilla-Gear Cargo Mat
- Strong Velcro® backers fasten tightly to the looped polywear surface
- Perfect for grouping, dividing and protecting goods and cargo



Trunk Organizer

ZVW 386 001	Trunk Organizer with VW logo	Jetta 05.5 ▶ SportWagen 09 ▶▶ GTI 06.5 ▶▶ Rabbit 06.5 ▶▶ R32 08
-------------	------------------------------	---

- Spring loaded set-up, folds flat for convenient storage
- Durable ABS plastic, anti-bacterial materials
- Restraining straps and d-rings prevent sliding
- Integrated partitions organize cargo
- Molded grab handles ensure easy handling
- Dimensions
Closed: 14.5" x 25" x 2"
Opened: 14.5" x 25" x 7"



Storage Tray

1K0 061 178A	Storage Tray fits underneath the parcel shelf	GTI 06.5 ▶▶ Rabbit 06.5 ▶▶ R32 08
--------------	---	---

- Provides additional storage space
- Installs without additional drilling or screws
- Dimensions
41 3/4" L X 16" W X 4 1/8" H
- 1-piece durability, anthracite color



Cargo Net



Part No.	Description	Application
1KM 065 110* 1K9 065 111	Luggage Net	Jetta 05.5 ▶ SportWagen 09 ▶
1K0 065 111		GTI 06.5 ▶ Rabbit 06.5 ▶ R32 08

- Elasticized nylon net utilizes 4 securing hooks to attach to lockdown clamps in vehicle trunk
- Securely holds bulky items in place
- Color: anthracite

* MY 2007 Additional hardware required, sold seperately, chrome hooks (2x), mounting screws (4x)



T25 Bolt (4x) - **N 103 114 01**
Cargo Net Hook (2x) - **1J0 864 203 D/2ZZ**

Cargo Partition




1K0 017 221	Cargo Partition (Metal)	R32 08 GTI 06.5 ▶ Rabbit 06.5 ▶
1K9 017 221		Jetta SportWagen 09 ▶


- Partition grille tubular frame, black steel mesh, capatible with head airbag
- Separates the luggage area from the passenger area between the rear seat back and roof liner
- Can also be used on vehicles with head air bag

Pedal Caps

Part No.	Description	Application	Transmission
1K1 064 200	SPORT Set - Metal, incl. accelerator, brake & clutch pedal caps	Jetta (Exc. GLI)	05.5 ▶ M
		SportWagen	09 ▶ M
		Rabbit	06.5 ▶ M




1K1 064 205	SPORT Set - Metal, incl. accelerator and brake pedal caps	Jetta (Exc. GLI)	05.5 ▶ A
		SportWagen	09 ▶ A
		Rabbit	06.5 ▶ A



1K1 864 551 TKH	SPORT Metal foot rest*	Jetta (Exc. GLI)	05.5 ▶ B
		SportWagen	09 ▶ B
		Rabbit	06.5 ▶ B

* Except vehicles that already come equipped with Sport pedal packages.
Installation instructions included.


Transmission: **A** = Automatic
M = Manual
B = Both



Jetta Roller Blind, rear window

Part No.	Description	Application
1KM 064 360	Roller Blind for rear window	Jetta Sedan 05.5 ▶

- Protects from strong sunlight and stops the interior warming up
- Includes spring-assisted roll up mechanism




Roller Blind, rear hatch

1K0 064 360	Roller Blind for rear hatch	GTI 06.5 ▶ Rabbit 06.5 ▶ R32 08
--------------------	--------------------------------	---------------------------------------

- With an exact fit to the rear window, passengers are shaded from direct sunlight without impairing visibility or safety

Special Components:
1K0 064 725 Mounting kit for sun blind



Roller Blind, rear door side window

1K5 064 362	Roller Blind for rear door side window 4-Door models	GTI 06.5 ▶ Rabbit 06.5 ▶
--------------------	--	-----------------------------

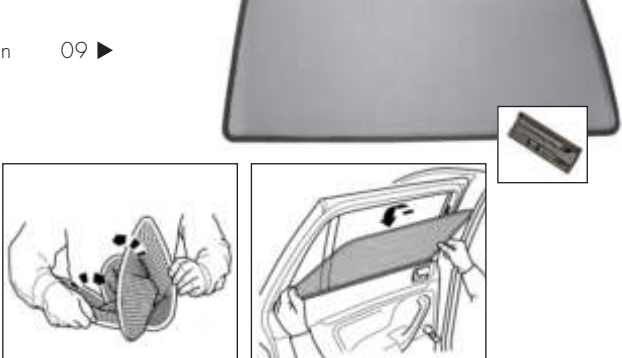
- Protects from strong sunlight and helps stop the interior warming up



Clip-in Blind, rear door side window

1K9 064 363	Clip-in Blind for rear door side window	SportWagen 09 ▶
--------------------	--	-----------------

- Unfolds to attach to adhesive mounted clips
- Fold up and store in storage bag
- Protects from strong sunlight and helps stop the interior warming up
- Includes mounting instructions



Front End Cover



Suggested Retail Labor Time: 50

Part No.	Description	Application
ZVW 193 041 *	Front End Cover	Jetta 05.5 ▶
		SportWagen 09 ▶
ZVW 193 045†		GLI 05.5 ▶
ZVW 193 033 *		Rabbit 06.5 ▶
ZVW 193 042 ¹		GTI 06.5 ▶

*Not applicable for vehicles with front valance or headlight washer system.

† Openings pre-cut as shown above.

¹ Can be used with headlight washers. Can also be cut away.

Designed for the protection of those finished front end surfaces most susceptible to damage from flying road debris. For user convenience, engine compartment opens without detachment of cover. Constructed for fitting to the vehicle with combinations of padded hi-flex metal tabs, coated hooks and elastics especially suitable for DIY installation, without drilling. Outline is provided for access opening front license plate. Vehicle logo-type embroidered in silver thread.

Made from premium grade materials to ensure optimum useful service life:

- High gloss vinyl of 14 oz./sq. yd. weight, UV and mildew resistant, with backing of 8 oz./sq. yd. polyester foss
- High tensile strength polyester binding used on all seams and edges
- All fasteners (tabs, hooks, elastics) enveloped and surface protected with non-corrosive covered/sheathing

See Accessory Circular #022-08-06 UCF for additional information

Car Cover



Part No.	Description	Application
1KM 061 205 H	Car Cover – “Stormproof” grey, with silk screened logo, window for the license plate, complete with storage bag	Jetta 05.5 ▶ Jetta GLI
1K0 061 205 H		GTI 06.5 ▶ Rabbit 06.5 ▶ R32 08

StormProof is a fabric with an unconventional natural weave of microscopic yarns impervious to rain, snow, ice and extreme sun without needing any chemical treatments or coatings. This means the car cover performs the same great paint-protecting duties for years—not months. And, the tight weave is still highly breathable, allowing all trapped heat and moisture to escape.

- Long life ultraviolet (UV) resistance
- Resistance to dust, acid rain, tree sap and other airborne particulate matter
- Light weight for easy installation and removal
- Custom mirror pockets
- Plastipane rear license plate window
- Double stitch seams for strength and long life
- Elasticized hems for fit and stability and tie-down grommets

Important Notes

Do not use a cover on a vehicle which has been repainted within the last 6 months.

If your vehicle has delicate paint, such as lacquer, exercise caution. Some repainted vehicles are not painted properly and may blister.

If there is excessive wind and your cover is flapping against your vehicle, remove the cover.

Do not cover a vehicle while it is being towed.

If a haze appears on your windows after covering your vehicle, it is caused by airborne pollution. Wash your cover.

Troubleshooting

The main problems people encounter with their cover is residual thread or lint left on the vehicle after covering it.

This is just excess material left over from the manufacturing process, and will stop after the first two weeks of use.

See Accessory Circular #**027-08-06 UCF** for additional information

ZVW 400 110 Cover Cable and Lock set

The nonscratching plastic coated cable slides through the special sewn-in grommets, and the lock keeps the cover secured to the vehicle.



Roof Carrier System - Carrier Bars



Part No.	Description	Application
1KM 071 126	Carrier Bars, Basic lockable, set of 2 cross bars complete with mounting instructions and hardware	Jetta 05.5 ▶
1KM 071 151		Jetta SportWagen 09 ▶
1KO 071 126		GTI 06.5 ▶ Rabbit 06.5 ▶ R32 08

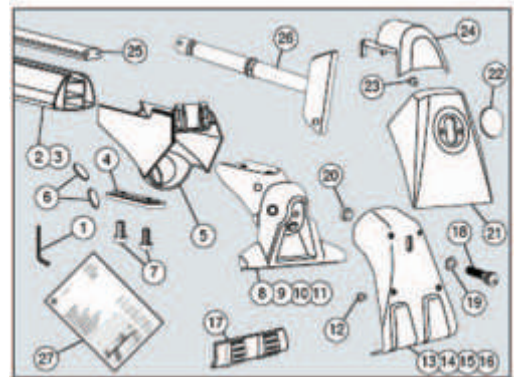
Two plastic-coated aerodynamic aluminum cross bars. Anodized aluminum section. Plastic supporting feet, cover caps and covers. Galvanized plastic coated steel plate. The lockable unit has built-in cylinder locks mounted into the full length end bracket covers. Supports T-slot

Bar dimensions: 1350 x 180 x 270 mm / weight: 7.0 kg

The maximum permissible roof load is 165 lbs/75 kg, evenly distributed. Consult your Owner's Manual for weight specifications.

Single Components:

No.	Description	Qty.	No.	Description	Qty.
1	Allen key	1	15	Tensioning clamp, RL	1
2	Tubular section, front	1	16	Tensioning clamp, RR	1
3	Tubular section, rear	1	17	Bump rubber	4
4	Sliding block	4	18	Coded tensioning bolt	4
5	Supporting foot cover	4	19	Washer, steel	4
6	Screw cover	8	20	Sleeve, steel	4
7	Screw M6x16	8	21	Cover cap	4
8	Supporting foot, FL	1	22	Cover plate	4
9	Supporting foot, FR	1	23	Screw 2.5x5	4
10	Supporting foot, RL	1	24	Moulded cap	4
11	Supporting foot, RR	1	25	Cover section	2
12	Screw 4x8	8	26	Torque wrench	1
13	Tensioning clamp, FL	1	27	Fitting instructions	1
14	Tensioning clamp, FR	1			



Bike Carrier System



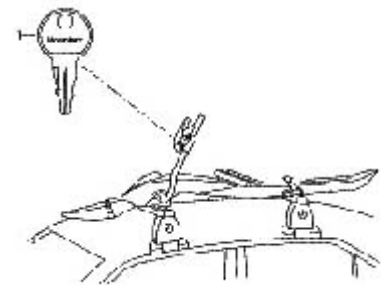
Part No.	Description	Application
6Q0 071 128 A	Bicycle Holder Attachment for 1 bicycle. Complete with mounting hardware and instructions	Fits All with "T Slot" Basic Carrier Bars

Bike Holder dimensions: 1580 x 180 x 290 mm / weight: 4.6 kg

- For transport of Touring, Mountain and Racing Bikes in an upright position.
- Built-in lock and rugged design prevents damage to valuable bicycles.
- Up to three (3) bicycles can be mounted using a staggered formation.
- **NOTE:** Some of the largest downhill race tire sizes may not fit.
- Maximum frame width=80mm, maximum tire width=56mm, maximum frame height=90mm

Part No.	Description	Application
000 092 795 AA	Code Keys	Fits All MontBlanc
000 092 795 AB	1 Set of Code Keys	Code 21
000 092 795 AC	1 Set of Code Keys	Code 23
000 092 795 AD	1 Set of Code Keys	Code 25
000 092 795 AE	1 Set of Code Keys	Code 27
		Code 29

- Original replacement keys for Montblanc roof carrier and attachment parts

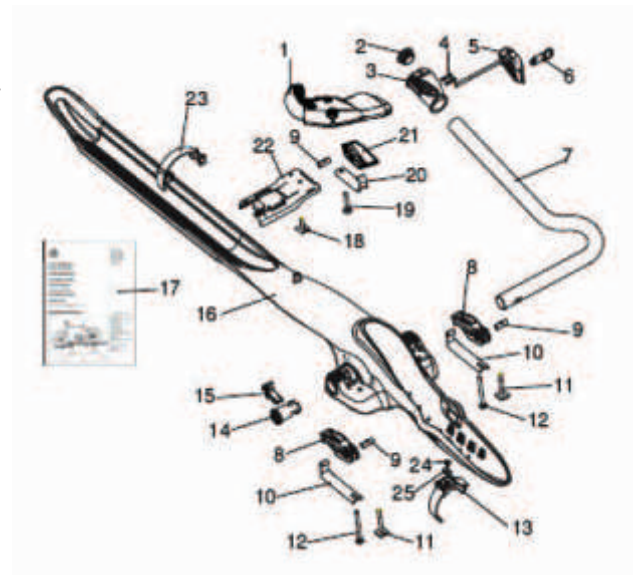


Single components

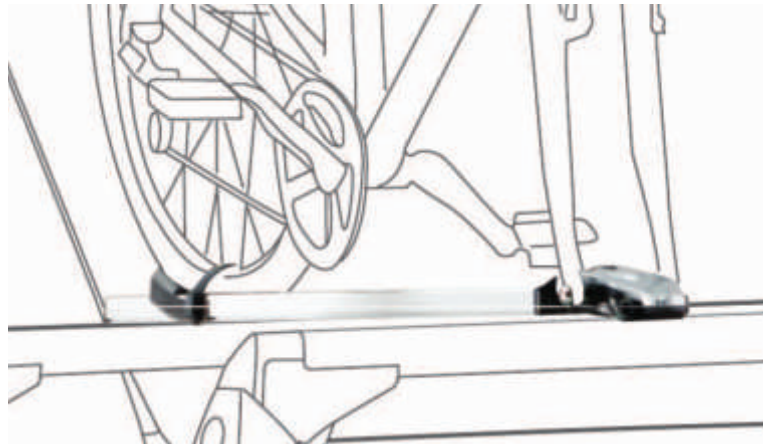
Bicycle Holder 6Q0 071 128 A

Key#	Description	Qty.	Key#	Description	Qty.
1Frame holder.....	1	14Securing sleeve.....	1
2Cap.....	1	15T-locking device.....	1
3Tube clamp.....	1	16Wheel mount.....	1
4Screws (for plastic).....	2	17Fitting instructions.....	1
5Lever for frame holder.....	1	18T-screw, short.....	1
6Lock.....	1	19Screw, short.....	1
7Securing tube.....	1	20Securing bracket, rear.....	1
8Front lever.....	2	21Rear lever.....	1
9Pin.....	3	22Rear securing plate.....	1
10Securing bracket, front.....	2	23*Rear wheel holder.....	1
11T-screw, long.....	2	24Screw.....	1
12Screw, long.....	2	25Nut.....	1
13*Front wheel holder.....	1			

*Spare parts can be ordered under part # **6Q0 071 740**



Bike Carrier System

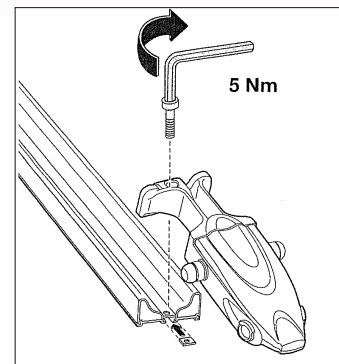
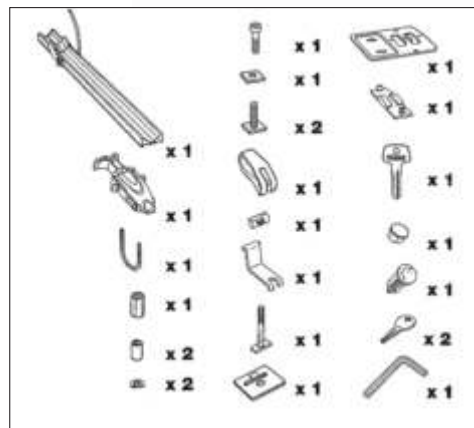
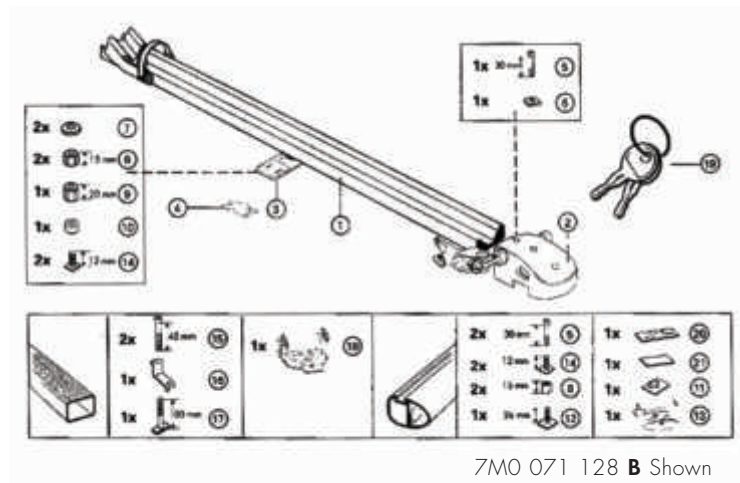


Part No.	Description	Application
7M0 071 128 C	Accepts bikes with disc brakes Bicycle holder for fork attachment Bike Holder dimensions: 1320 x 85 x 130 mm / weight: 2.8 kg Fits up to 3 racks (2 forward, 1 rear facing)	Fits All with Basic Carrier Bars

NOTE: The holding strap may not fit some of the largest downhill race tire sizes.

Single Components:

Description	Qty.	Part No.
Lock	1	1F0 071 267A
Loslager, Unterlegplatte	1ea.	1F0 071 737D
Spannband aus Radhalt.	1	1F0 071 740
Endkappen	2	1F0 071 745
Radhalterung	1	1F0 071 746



7M0 071 128 C
("C" version front fork mount)

Luggage Platform



Part No.	Description	Application
00H 071 130	Luggage Platform complete with mounting hardware and instructions	Fits All with Basic Carrier Bars

Basket dimensions: 1140 x 120 x 950 mm / weight: 10.0 kg

- Provides shallow tray
- Pre-assembled
- Aluminum construction
- Cargo tie-down equipment sold separately

Soft Luggage Carrier



ZVW 193 800	Soft Luggage Carrier and Luggage Basket 191 071 130 F or Luggage Platform 00H 071 130	All
-------------	---	-----

- Heavy duty
- Weather proof
- Black polyester construction
- Accommodates 7.7 cubic feet of cargo
- 6 tie-down straps with quick release buckles
- Covered zipper

Classic Luggage Basket



Part No.	Description	Application
----------	-------------	-------------

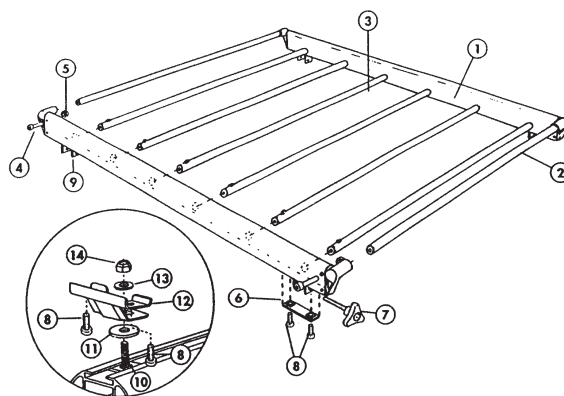
191 071 130 F	Classic Luggage Basket complete with mounting hardware and instructions	Fits All with Basic Carrier Bars
----------------------	---	----------------------------------

- Galvanized steel, black plastic coated
- Transverse end tubular bars, front and rear, are adjustable:
 Closed: up position forms a luggage basket
 Open: down position forms a loading platform

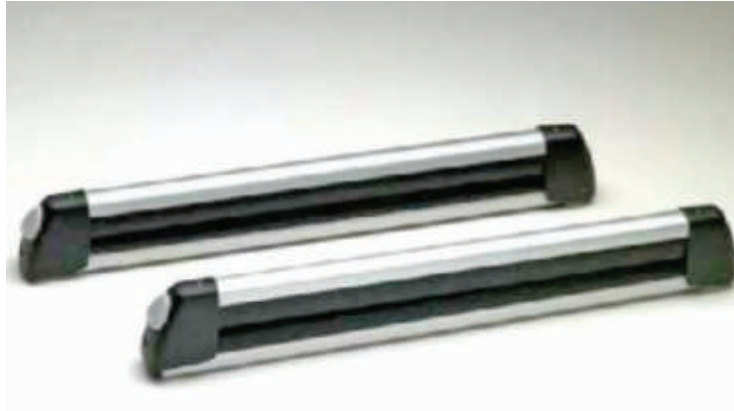
Luggage Basket dimensions: 1120 x 70 x 200 mm / weight: 6.8 kg

Single components - Luggage Basket 191 071 130 F

Key No.	Description	Qty.	Part No.
1	Side Section	2	
2	Retaining bar	1	191 071 736 B
3	Supporting bar	1	191 071 736 E
7	Capstan head screw	4	191 071 739
	Mounting Kit		191 071 736 D
4	Self tapping screws	12	
5	Plastic washer	12	
6	Hex head bolt	8	
10	Threaded shackle	4	
11	Hex head nut	4	
12	T-shaped keyway insert	4	
13	Shackle	4	
14	U-shaped shackle	4	
	Set of Screw Connectors		191 071 743 C
	6 Hex head bolt	8	
	9 Hex head nut	4	
	8 Slotted bolt	4	



Snowboard/Ski Attachment



Part No.	Description	Application
3B0 071 129 UA	Snowboard/Ski attachment – lockable complete with mounting hardware	Fits All with Basic flat Carrier Bars

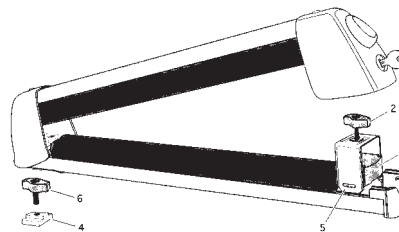
- Carries four pairs of skis or two snowboards
- Perfect blend of styling, quality and rugged design
- Installs quickly on base carrier and features an oversized push button locking hood that allows for easy opening and closing with gloves on
- Wide semi-rigid rubber profile design provides a snug secure fit for snowboard or skis

Ski Rack dimensions: 790 x 130 x 130 mm / weight: 3.6 kg

Single components – Snowboard/Ski attachment **3B0 071 129 UA** Key

No.	Description	Qty.
1	Ski/Snowboard carrier	2
2	Wing bolt, M6x35	4
3	Spacer block	4
4	Keyway, M6	4
5	Retaining clip	4
6	Wing knob, M6x20	2
7	Key	2

Attachment Kit
3B0 071 737A



Snowboard/Ski Attachment – Deluxe



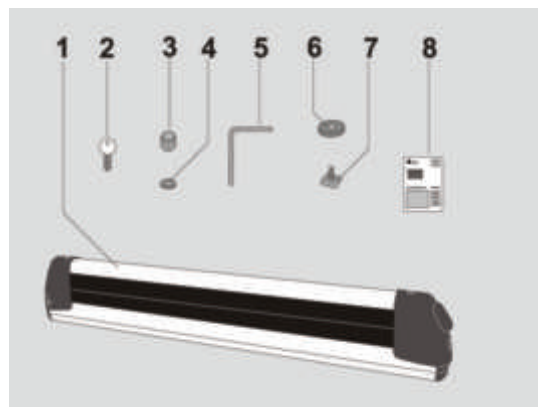
Part No.	Description	Application
1T0 071 129	Deluxe Snowboard/Ski attachment – lockable complete with mounting hardware	Fits All with Basic Carrier Bars

- For maximum of 6 pairs of skis or 4 snowboards
- Easy to load and unload with a practical pull-out action
- Lockable
- Made from anodized aluminum section

Ski Rack dimensions: 835 x 130 x 130 mm / weight: 4.8 kg

Single components – Snowboard/Ski attachment **1T0 071 129** Key

No.	Description	Qty.
1	Ski/Snowboard holder	2
2	Key	2
3	Allen nut M6	4
4	Spring washer	4
5	Allen key SW5	1
6	Plastic washer	4
7	T-bolt M6x16	4
8	Fitting instructions	1



Kayak Holder



Part No.	Description	Application
1K0 071 127	Kayak Rack Attachment	Fits All with Basic Carrier Bars



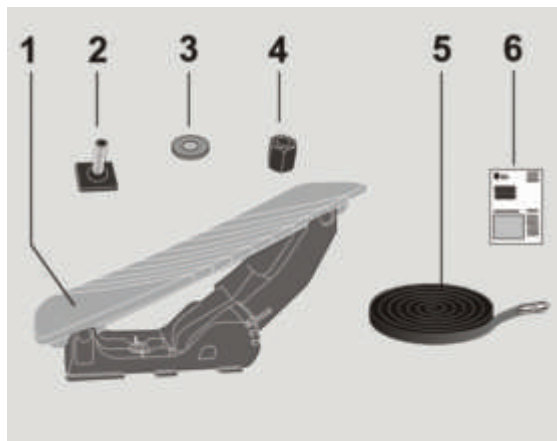
- 4 rubber coated holders which adapt to the shape of the kayak
- Tie straps included
- Holds one kayak

Rack dimensions: 480 x 190 x 120 mm / weight: 1.75 kg
 Load maximum: 55 lb/25 kg. Consult your Owner's Manual for weight specifications and important safety information.
 Maximum kayak length: 8 ft. 2 in./2.4 m

Single components – Kayak attachment – **1K0 071 127**

Key

Item	Description	Qty
1	Kayak holder	4
2	Slide block M6 x 22	4
3	Washer M6	4
4	Hex nut M6	4
	15mm high	
5	Tensioning strap	2
	approx. 4.000 mm	
6	Fitting instructions	1



Surfboard Holder



Part No.	Description	Application
----------	-------------	-------------

445 071 127	Surfboard Holder Attachment Close Out	Fits All with Basic Carrier Bars
--------------------	---	----------------------------------

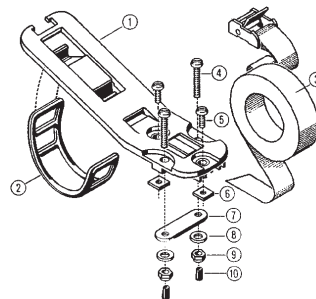
- 4 plastic holders which adapt to the shape of the surfboard
- For transporting of 1 or 2 surfboards with masts

Holder dimensions: 310 x 100 x 140 mm / weight: 1.84 kg

Single components – Surfboard attachment – **445 071 127**

Key

No.	Description	Part No.
2	Tensioning Rubber	445 071 737B
4	Hardware Kit	445 071 737C



Replaced by 000 071 120H

000 071 120H	Surfboard Holder Attachment	Fits All Carriers with T-slot profile
---------------------	-----------------------------	---------------------------------------

The surfboard holder transports your surfboard safely to the destination. The surfboard and two masts are held in place by robust fastening fixtures. The rubber-coated surfboard supports and special rubber protection for metal clips on the retaining straps ensure the highest possible protection for your surfboard during transportation.

- Surfboard nose must point downwards in the direction of travel
- Suitable for 1 surfboard and 2 masts only
 - Includes:
 - 2 Surfboard supports
 - 2 Retaining straps (275 cm each)
 - 2 Rubber caps
 - 4 Mast holders with retaining straps



Splash Guards



Suggested Retail Labor Time: **40**

Part No.	Description	Application
	Splash Guards, front set of 2 with mounting hardware matte black	
1KM 075 112		Jetta GLI 05.5 ▶
1KM 075 111		Jetta 05.5 ▶
1K0 075 115		GTI 06.5 ▶
1K0 075 111		Rabbit 06.5 ▶ Jetta SportWagen 09 ▶
	Splash Guards, rear set of 2 with mounting hardware matte black	
1KM 075 102		Jetta GLI 05.5 ▶
1KM 075 101		Jetta 05.5 ▶
1K0 075 105		GTI 06.5 ▶
1K0 075 101		Rabbit 06.5 ▶
1K9 075 101		Jetta SportWagen 09 ▶

Single Components:

1KM 075 711 Front Fastening kit

1KM 075 702 Rear Fastening kit

- Designed for a flush contour fit to help ensure body protection
- Temperature resistant material tested under extreme driving conditions

Alloy Wheels

A note about our wheel and summer performance tire assemblies: Our high performance wheel and tire assemblies as well as some of the tires required for our larger diameter accessory alloy wheels are designed for optimum performance and handling in warm climates. They are not suitable for cold, snowy, or icy weather conditions. If the car is driven under those circumstances, the vehicle should be equipped with all-season or winter tires which offer better traction under those conditions. We suggest you use the recommended winter or all season tire specified for the vehicle or its equivalent. These high-performance tires also have a lower aspect ratio that aids performance and handling; however, in order to avoid tire, rim, or vehicle damage, it is important that the inflation pressure is regularly checked and maintained at recommended levels. Please also remember in making your selection that, while these tires deliver responsive handling, they may ride less comfortably and make more noise than other choices. Finally, these tires may wear more quickly than other choices. For further information on all these topics, please consult the vehicles owner's manual or call your facing Parts Distribution Center.

Part No.	Description	Application
2K1 071 495A 666	7 spoke light alloy wheel 6.5J x 15 ET50 Brilliant/Silver Metallic	Jetta 05.5 ▶
		Rabbit 06.5 ▶
1T4 071 496A 666	7 spoke light alloy wheel 6J x 16 ET50 Brilliant/Silver Metallic	Jetta 05.5 ▶
		SportWagen 09 ▶
		Rabbit 06.5 ▶



Vitus

- Attractively designed rim
- The alloy wheel is supplied 1 per box complete with VW Hub Cap
- Uses standard wheel bolts and rubber valve

Single Components

3B7 601 171 BXF Center Hub Cap – VW

1T0 071 495 666	6-spoke Light Alloy Wheel 6.5J x 15 ET 50 Brilliant/Silver Metallic	Jetta 05.5 ▶
		Rabbit 06.5 ▶
1T0 071 492 666	7J x 16 ET 50 Brilliant/Silver Metallic	Jetta 05.5 ▶
		SportWagen 09 ▶
		Rabbit 06.5 ▶



Tangis

- Attractively designed rim
- The alloy wheel is supplied 1 per box complete with VW Hub Cap
- Uses standard wheel bolts and rubber valve

Single Components

3B7 601 171 BXF Center Hub Cap – VW

1T0 071 491 666	7-spoke Light Alloy Wheel 7J x 16 ET 50 Brilliant/Silver Metallic	Jetta 05.5 ▶
		SportWagen 09 ▶
		Rabbit 06.5 ▶







Namib

- Attractively designed rim
- The alloy wheel is supplied 1 per box complete with VW Hub Cap
- Uses standard wheel bolts and rubber valve

Single Components

1T0 071 214 Center Hub Cap – VW

Alloy Wheels

Part No.	Description	Application	
1T0 071 496 666	6-spoke Light Alloy Wheel 7J x 16 ET 50 Brilliant Silver Metallic	Jetta 05.5 ▶ SportWagen 09 ▶ GTI 06.5 ▶ Rabbit 06.5 ▶	205/55 R16-91  Contur
	<ul style="list-style-type: none"> • Attractively designed rim • The alloy wheel is supplied 1 per box complete with VW Hub Cap • Uses standard wheel bolts and rubber valve Locking wheel bolt set 000 071 591 A Single Components 7M0 071 214A Center Hub Cap – VW		
1T0 071 497 666	Multi-spoke Light Alloy Wheel 7.5J x 17 ET50 Complete with VW Logo Hub Cap Brilliant Silver Metallic	Jetta 05.5 ▶ SportWagen 09 ▶ GTI 06.5 ▶ Rabbit 06.5 ▶ R32 08	225/45 R17-91  Exis
	<ul style="list-style-type: none"> • Attractively designed rim • The alloy wheel is supplied 1 per box complete with VW Hub Cap • Uses standard wheel bolts and rubber valve Locking wheel bolt set 000 071 591 A Single Components 3B7 601 171 BXF Center Hub Cap – VW		
1K0 071 497 666	5-spoke Light Alloy Wheel 7J x 17 ET54 Complete with VW Logo Hub Cap Brilliant Silver Metallic	Jetta 05.5 ▶ SportWagen 09 ▶ GTI 06.5 ▶ Rabbit 06.5 ▶ R32 08	225/45R17  Activa
	<ul style="list-style-type: none"> • Attractively designed rim • The alloy wheel is supplied 1 per box complete with VW Hub Cap • Uses standard wheel bolts and rubber valve Locking wheel bolt set 000 071 591 A Single Components 3C0 601 149P 8Z8 Center Hub Cap – VW		
1K0 601 025BL 8Z8	10-spoke Light Alloy Wheel 7.5J x 18 ET51 Complete with VW Logo Hub Cap Diamond Silver Metallic	Jetta 05.5 ▶ SportWagen 09 ▶ GTI 06.5 ▶ Rabbit 06.5 ▶	225/45R17  Omanyt
	<ul style="list-style-type: none"> • Attractively designed rim • The alloy wheel is supplied 1 per box. VW Hub Cap not included. • Uses standard wheel bolts and rubber valve Locking wheel bolt set 000 071 591 A Single Components 3B7 601 171 Center Hub Cap – VW		

Alloy Wheels

Part No.	Description	Application	
1K5 071 497 666	10-spoke Light Alloy Wheel 7J x 17 ET 54 Sterling Silver Metallic	Jetta SportWagen GTI Rabbit R32	05.5 ▶ 09 ▶ 06.5 ▶ 06.5 ▶ 08
			225/45 R17-91
1K5 071 497 1ZL	7J x 17 ET 54 Machined Surface		
1K5 071 498 1ZL	8J x 18 ET 50 Brilliant Silver Metallic		
<ul style="list-style-type: none"> • Attractively designed alloy wheel is supplied 1 per box complete with VW Hub Cap • Uses standard wheel bolts and rubber valve 			
Locking wheel bolt set 000 071 591 A			
Single Components			
3B7 601 171 BXF	Center Hub Cap – VW		



Vision V

1T4 071 497 666	5-spoke Light Alloy Wheel 7.5J x 17 ET51 Complete with VW Logo Hub Cap Brilliant Silver Metallic	Jetta SportWagen GTI Rabbit R32	05.5 ▶ 09 ▶ 06.5 ▶ 06.5 ▶ 08
			225/45 R17-91
1T4 071 497 V7U	7J x 17 ET 54 Dark Metal Gray Complete with VW Logo Hub Cap		
1T4 071 498 666	7.5J x 18 ET51 Complete with VW Logo Hub Cap	Jetta** SportWagen** GTI Rabbit** R32	05.5 ▶ 09 ▶ 06.5 ▶ 06.5 ▶ 08
<ul style="list-style-type: none"> • Attractively designed alloy wheel is supplied 1 per box complete with VW Hub Cap • Uses standard wheel bolts and rubber valve 			
**Suspension Limiters Required (000 071 501 or 000 071 501A)			
Must be used in conjunction with suspension limiters for vehicles originally not equipped with sport suspension. Rear alignment should also be inspected.			
Single Components			
3B7 601 171 BXF	Center Hub Cap – VW		



Goal

1K0 071 498 1ZL	5-spoke Light Alloy Wheel 8J x 18 ET50 Complete with VW Logo Hub Cap Brilliant Silver Metallic	Jetta** SportWagen** GTI Rabbit** R32	06 ▶ 09 ▶ 06 ▶ 06 ▶ 08
			225/40 R18-92
1K0 071 498 V7U	8J x 18 ET50 Complete with VW Logo Hub Cap Smoked Silver		
1K9 071 497 V7U	7J x 17 ET54 Complete with VW Logo Hub Cap Smoked Silver		
<ul style="list-style-type: none"> • Attractively designed alloy wheel is supplied 1 per box complete with VW Hub Cap • Uses standard wheel bolts and rubber valve 			
**Suspension Limiters Required (000 071 501 or 000 071 501A)			
Must be used in conjunction with suspension limiters for vehicles originally not equipped with sport suspension. Rear alignment should also be inspected.			
Single Components			
3B7 601 171 BXF	Center Hub Cap – VW		



Karthoum

Suspension Limiters – 18" wheels

Part No.	Description	Application
000 071 501 or 000 071 501A	Suspension Limiters Mandatory for 18" Wheels (only)	Jetta 05.5 ▶ SportWagen 09 ▶ GTI 06.5 ▶ Rabbit 06.5 ▶

- This rebound spring set is a mandatory stipulation when fitting 18 inch diameter wheels on vehicles not equipped with sport suspension from the factory.



000 071 597	Lockable Wheel Bolts set of 4, 2-Piece complete with matched key	Jetta 05.5 ▶ SportWagen 09 ▶ GTI 06.5 ▶ Rabbit 06.5 ▶ R32 08
-------------	---	--

Weight, shape and length correspond to the standard wheel bolts. Standard wheel bolts can still be used on all wheels. Not for use in conjunction with standard two-piece wheel bolts with loose spherical collar.



Snow Chains*



000 091 386D	Snow chains (205/55R16 - 16"x6.5" ET 42 rim) or (205/50R17 - 17"x6" ET 45 rim)	Jetta 05.5 ▶
--------------	---	--------------

- Special RUD snow chain. Easy and quick fitting to stationary vehicle possible. Special fine-linked chain. The spring steel shackle chain is pre-adjusted and always ready for fitting. TÜV tested. With fitting instructions 2 per set.

*Check state, county, province and local laws prior to operating your vehicle with snow chains. Consult your Owner's Manual for information about the safe use of snow chains on your vehicle.

Sunroof Air Deflector



Suggested Retail Labor Time: **60**

Air Deflector – Sunroof
kit complete with mounting hardware,
gasket and instructions

1KM 072 192U

Jetta	05.5 ▶
GTI	06.5 ▶
Rabbit	06.5 ▶
R32	08

The WeatherTech® Sunroof Wind Deflector gives you an excellent reduction of in-cabin wind noise and air turbulence! It is crafted in Germany from the finest 4mm thick, tinted cast acrylic. Our sunroof deflector fits the sunroof opening precisely, and is held securely in place with the MagiClip vehicle specific fastening system. To protect your vehicle's finish, the unique AirCushion gasket seals the edge of the deflector. WeatherTech Sunroof Wind Deflector's sleek and sophisticated look is a great addition to any vehicle.

- One-piece molded tinted acrylic Plexiglas
- One bracket per side clamps into the sunroof opening
- Installation without drilling

Front Bumper Hole Plugs

ZVW 355 999

Chrome or black plugs

All



- For vehicles drilled for front license plates installation that subsequently won't require a front plate mount

Gear Shift Knob

1K0 064 285G

Gearshift Knob and Boot
6-Speed

Jetta	05.5 ▶
SportWagen	09 ▶
GTI	06.5 ▶
Rabbit	06.5 ▶

- Gearshift knob for 6-speed drive with gaiter, golf ball retro aluminium/leather effect
- Simple to exchange through original shift connection
- Includes shift knob, boot, and surround.



Body Kits



Part No.	Description	Application
1KM 071 609U 9AX	Front Valance kit complete 1 piece (primed)	Jetta 05.5 ▶
		SportWagen 09 ▶
		GTI 06.5 ▶
		Rabbit 06.5 ▶
1KO 071 609 9AX		

- Installation and painting instructions included
- Available pre-painted as Ground Effects Kit

NOTE: The adhesive needed to complete the assembly of these components is not included in the kit. Contact your local body shop supply firm to obtain the proper adhesive such as "DOW Betaseal 17042 Advanced Cure Urethane" or equivalent.

See Accessory Circular "Painted Aerodynamic Components" # **060-08-06UCF** for color codes

Dealer Drop Ship Program - Ground Effects Kits, Jetta/GTI		
Kits without tail lamp		Kits with tail lamp
Drop Ship Number	Description	Color Code
1KM071601DSB5M	Arctic Blue Silver	7J7J
1KM071601DS041	Black	A1A1
1KM071601DSC5F	Blue Graphite	W9W9
1KM071601DSR9A	Campanella White	R6R6
1KM071601DSA6R	North Sea Green Metallic	Z8Z8
1KM071601DSD7X	Platinum Grey	2R2R
1KM071601DSA7W	Reflex Silver	8E8E
1KM071601DSD5Q	Shadow Blue	P6P6
1KM071601DSA3W	Spice Red	K7K7
1KM071601DSD1W	Wheat Beige	D1D1
1KM071601DSA3H	Salsa Red	4Y4Y
1KM071601DSC9X	Deep Black	2T2T
1KM071601DSY1C	Imola Yellow	1T1T
1KM071601DSC5J	Laser Blue	Y3Y3

(See Parts On Command for Rabbit)

Body Kits



Jetta Side Skirt

Part No.	Description	Application
1KM 071 685U 9AX	Side Skirts kit complete 2 pieces (primed)	Jetta 05.5 ▶
1KM 071 685U 9AX		GTI 06.5 ▶
1KM 071 685U 9AX		Rabbit 06.5 ▶

- Installation and painting instructions included
- Painting of spoiler to body color required
- Available pre-painted as Ground Effects Kit

NOTE: The adhesive needed to complete the assembly of these components is not included in the kit. Contact your local body shop supply firm to obtain the proper adhesive such as "DOW Betaseal 17042 Advanced Cure Urethane" or equivalent.

See Accessory Circular "Painted Aerodynamic Components" # **060-08-06UCF** for color codes



1K1 071 329	Body Side Molding black only	Jetta GLI	05.5 ▶
--------------------	---------------------------------	--------------	--------

- Helps protect body panels from damage
- Adhesive back fastens securely

Body Kits



Part No.	Description	Application
1KM 071 646U 9AX	Rear Spoiler primed, Wing without 3rd brake light	Jetta 05.5 ▶

- Impact resistant, integral polyurethane foam spoiler increases vehicle's rear down force
- Recommend paint to body color
- Available pre-painted: See Accessory Circular "Painted Aerodynamic Components" # **060-08-06UCF** for color codes

NOTE: The adhesive needed to complete the assembly of these components is not included in the kit. Contact your local body shop supply firm to obtain the proper adhesive such as "DOW Betaseal 17042 Advanced Cure Urethane" or equivalent.

1KM 071 640U 9AX	Rear Spoiler Lip primed, 3-Piece without 3rd brake light	Jetta 05.5 ▶
-------------------------	--	--------------

- The tailgate spoiler without 3rd brake light blends attractively with the Jetta image
- Recommend paint to body color
- Available pre-painted: See Accessory Circular "Painted Aerodynamic Components" # **060-08-06UCF** for color codes

NOTE: The adhesive needed to complete the assembly of these components is not included in the kit. Contact your local body shop supply firm to obtain the proper adhesive such as "DOW Betaseal 17042 Advanced Cure Urethane" or equivalent.



1KM 071 641U GRU	Rear Spoiler primed, 1-Piece without 3rd brake light	Jetta 05.5 ▶
-------------------------	--	--------------

- Recommend paint to body color
- Available pre-painted: See Accessory Circular "Painted Aerodynamic Components" # **060-08-06UCF** for color codes

NOTE: The adhesive needed to complete the assembly of these components is not included in the kit. Contact your local body shop supply firm to obtain the proper adhesive such as "DOW Betaseal 17042 Advanced Cure Urethane" or equivalent.



Body Kits



Part No.	Description	Application
----------	-------------	-------------

1K0 071 640K 9AX	Hatch Spoiler primed	Rabbit 06.5 ▶
-------------------------	----------------------	---------------

- Impact resistant, integral polyurethane foam spoiler increases vehicle's rear down force
- Recommend paint to body color
- Available pre-painted

NOTE: The adhesive needed to complete the assembly of these components is not included in the kit. Contact your local body shop supply firm to obtain the proper adhesive such as "DOW Betaseal 17042 Advanced Cure Urethane" or equivalent.

1K9 071 640 GRU	Roof Spoiler primed	SportWagen 09 ▶
------------------------	---------------------	-----------------

- Recommend paint to body color
- Available pre-painted



Body Kits



Part No.	Description	Application
1K0 071 610UB 9AX or 1K0 071 610E GRU	Rear valance* Includes diffuser	GTI 06.5 ▶ Rabbit 06.5 ▶

* As required, use Exhaust Tips-

Rabbit: **1K0 071 910U**

GTI: **1K0 071 910, 1K0 071 910A, 1K0 071 911**

- Recommend paint to body color

- Available pre-painted: See Accessory Circular "Painted Aerodynamic Components" # **060-08-06UCF** for color codes



1KM 071 610U 9AX	Rear valance, exhaust exit on left Must be used with diffuser 1KM 071 611 UA 9AX or 1KM 071 611C 9AX	Jetta 05.5 ▶ GTI 06.5 ▶
1K9 071 610 GRU		SportWagen 09 ▶

- Recommend paint to body color

- Available pre-painted: See Accessory Circular "Painted Aerodynamic Components" # **060-08-06UCF** for color codes

Special features

Not in conjunction with towing hitch

Body Kits

Part No.	Description	Application
1KM 071 611UA 9AX or	Rear diffuser Exhaust exit on left	Jetta 05.5 ▶ SportWagen 09 ▶ GLI 06.5 ▶
1KM 071 611C 9AX		

- For use in conjunction with **1KM 071 610U 9AX** (Sedan) or **1K9 071 610 GRU** (SportWagen)
- Recommend paint to body color
- Available pre-painted: See Accessory Circular "Painted Aerodynamic Components" # **060-08-06UCF** for color codes

Special features

Not in conjunction with towing hitch



Rear Bumper Protector

1KM 061 197	Clear Vinyl Protector	Jetta 05.5 ▶ GLI 06.5 ▶
1K9 061 197		SportWagen 09 ▶
1K0 061 197		GTI 06.5 ▶ Rabbit 06.5 ▶ R32 08
1K9 061 195	Brushed Aluminum Protector	SportWagen 09 ▶

- Scratch-resistant, protects the upper surface and the trailing edge
- Shaped to fit, adhesive backed for ease of installation



Cooling Air Grilles

1K0 854 661M 9B9 1K0 854 662F 9B9	Front Valence Cooling Air Grilles Driver side Passenger side	Jetta GLI 06.5 ▶ GTI 06.5 ▶
--	--	--------------------------------

- For vehicles with foglights
- Honeycomb sport design
- Precision shaped to fit for ease of installation



Chrome Rear Accent Strip



Suggested Retail Labor Time: **25**

Part No.	Description	Application
1KM 071 360	Chrome rear accent strip	Jetta/GLI 05.5 ▶
1K0 071 360	Chrome look hatch accent strip	GTI 06.5 ▶ Rabbit 06.5 ▶ R32 08
1K9 071 360	Chrome rear accent strip	SportWagen 09 ▶

Add a distinctive touch to the look of your vehicle with a rear chrome look accent

- These chrome look accents offer a scratch and impact resistant surface
- High gloss with strong three-dimensional appearance
- Self-adhesive, easy installation
- One (1) set, consists of one (1) rear chrome look accent, fitting instructions, and cleaning cloth

Chrome Mirror Caps



Suggested Retail Labor Time: **50**

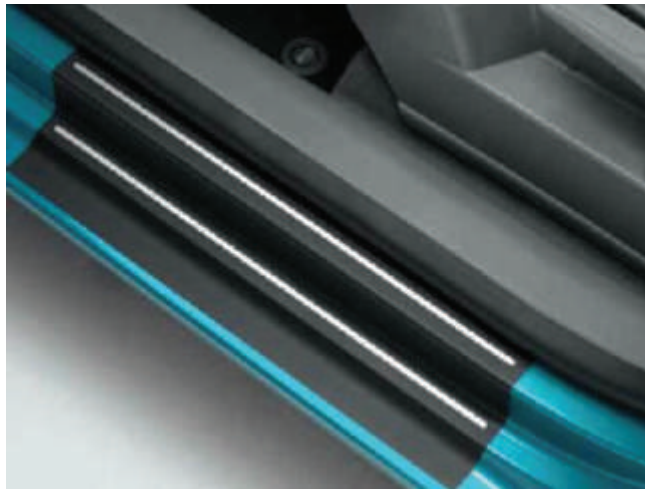
1KM 072 530 1ZL	Chrome mirror caps	Jetta/GLI 05.5 ▶ GTI 06.5 ▶ Rabbit 06.5 ▶ R32 08 SportWagen 09 ▶
------------------------	--------------------	--

Door Sill Protection



Part No.	Description	Application
1K0 061 195	Stainless Steel Hatch Scuff Plate	GTI 06.5 ▶
		Rabbit 06.5 ▶
		R32 08
1K9 061 195		SportWagen 09 ▶

- Chrome rear strip for bonding to the lower edge of the tailgate
- Protects the sill area from scratches and damage
- Easy installation with stick-on adhesive



5M0 071 310	Door Sill Protection Black w/Silver Stripes, 4 per set	Jetta	05.5 ▶
--------------------	---	-------	--------

- Protects the sill area from scratches and damage
- Easy installation with stick-on adhesive

Park Distance Control



Suggested Retail Labor Time: 120

Part No.	Description	Application
000 054 630A	Backup warning 4 sensors, acoustic warning function	Jetta/GLI 05.5 ▶ SportWagen 09 ▶ GTI 06.5 ▶ Rabbit 06.5 ▶

The park distance control, with 4 sensors and acoustic warning function provides additional safety when parking. This park distance control is easy to install and effectively helps avoid unsightly damage to the bumpers when reversing. A short sound emitted when reverse gear is engaged indicates that the system is active. The closer the vehicle comes to the obstacle, the more frequently the signal is emitted. The microprocessor-controlled park distance control function is automatically activated when reverse gear is selected and checks for errors using the self diagnostic function. Sensors can be painted so they blend unobtrusively into the overall vehicle image. Electrical connection to the reversing light is easy requiring no routing of cables to the front of the vehicle.

The park distance control function has an intelligent set-up function. For example, rigid towing hitches are not incorrectly detected as obstacles.

- Complete with control unit, four sensors, sound source, connection cables, fitting material, fitting and operating instructions.

Tie Down Hooks

6Y5 867 615	Tie Down Hook, trunk mounted	Jetta/GLI 05.5 ▶
-------------	------------------------------	------------------

- Hinged hook with a cloth pull-out loop
- Holds grocery bags or cargo in place
- Mounts on left or right vertical trunk panels



Sport Springs



Part No.	Description	Application	Engine	Transmission	
1KM 071 676	Sport Suspension kit	Jetta/GLI*	05.5 ▶ 07	2.0L 2.5	Manual Manual
			05.5 ▶	2.0L	Auto
			05.5 ▶	2.5	Auto
1K0 071 678 1K0 071 678A 1K0 071 679 1K0 071 679A		GTI/Rabbit	06.5 ▶	DSG (2-door only) Manual (2-door only) DSG (4-door only) Manual (4-door only)	

*Exc. GLI 07.5 ▶ with factory lowered suspension

Not for vehicles equipped with factory lowered sport suspension

- Lowers the standard center of gravity of the vehicle without sacrificing comfort
- High dynamic load capacity
- Sporty look
- High quality corrosion protection

See Accessory Circular #053-08-06-UCF for additional information

Silver Tail Lamps – Jetta

Part No.	Description	Application
1KM 052 204U	Silver Tail Lamps	Jetta 05.5 ▶

- These silver tail lamps plug directly into the existing bulb holders



Blackened Tail Lamps – GTI, Rabbit, Jetta

1K0 052 200N	Blackened Tail Lamps Set of 4	R32 08 GTI 06.5 ▶ Rabbit 06.5 ▶ R32 08
VWM 001 BOR A5 OSC	Set of 4	Jetta/GLI 05.5 ▶

1K5 945 095L	Left Outer
1K5 945 093K	Left Inner
1K5 945 096L	Right Outer
1K5 945 094K	Right Inner

- The black tint accents body lines while accentuating the lamp surround area
- No special tools needed
- Lights are easy to install and do not require special coding
- Same electrical connectors as original equipment



GTI Blackened Grille

1K0 071 550 041	Blackened Radiator Grille Polished rim, honeycomb design	GTI 06.5 ▶
------------------------	---	------------

- Aerodynamic styling
- Rugged PU R-RIM plastic
- Custom fit for ease of installation



Exhaust System



Part No.	Description	Application
1K0 071 901U	Sport Exhaust System	GTI 06.5 ▶
1KM 071 901U	Sport Exhaust System 2.5L Engine	Jetta 05.5 ▶ SportWagen 09 ▶
1KM 071 901 UC	2.0T Engine	GLI 06.5 ▶ Jetta SportWagen 09 ▶

- The polished stainless steel sports exhaust system gives your vehicle a deep note
- This system replaces the standard exhaust system from the catalytic converter back
- Highly polished

Exhaust Tips



1K0 071 910U	Stainless Steel Exhaust Tips	Rabbit 06.5 ▶
		Jetta 2.5L 05.5 ▶
		GTI 06.5 ▶

- Corrosion resistant stainless steel kit complete
- Required for Rabbit with accessory diffuser

See Accessory Circular #**025-08-06 UCF** for additional information

Styling Trim Kit



Part No.	Description	Application
1K1 867 408C 4BA	Woodgrain Trim Kit Smoker	05.5 ▶
1K1 867 408A 4BA	Non-Smoker	

- Smoker kit includes ashtray and lighter
- Kits are custom crafted to provide that elegant touch, and blend with vehicle interior
- Highly polished look for lasting beauty
- Precision cut, one-piece design
- Easy installation – snap out old, snap-in new, with 2 screws for the shifter panel

Single Components



Jetta Fog Light Kit



Part No.	Description	Application
1KM 052 250U	Jetta Fog Light Kit	Jetta 05.5 ▶ SportWagen 09 ▶

- Includes Fog Lights HB4 (1T0 941 699 Left, 1T0 941 700 Right) with Grilles
Custom VW Wire Harness, Mounting Hardware
- Helps improve visibility at night and during severe weather conditions
- **Headlight Switch not Included**

See Accessory Circular #021-08-07 UCF for additional information

Rear Seat Cupholder



1K0 868 481 9B9	Rear Seat Cupholder Holder	Jetta/GLI 05.5 ▶
1K0 862 543B ***	Cover*	Rabbit 07 ▶ GTI 06.5 ▶

- For vehicles not factory equipped
- *See ETKA for color availability

Storage Tray – Center Dash



Part No.	Description	Application
1K0 858 167 9B9	Storage Tray, Center Dash*	Jetta/GLI 05.5 ▶ Rabbit 07 ▶ GTI 06.5 ▶

*Not for vehicles with Climatronic

- Adds convenient storage area for small items
- Fitted rubber mat provides non-slip surface
- Easy installation—existing grille pops out, storage box held by two supplied screws

Storage Tray – Driver Side



1K1 858 365AF ***	Storage Tray, Driver Side	Jetta/GLI 05.5 ▶
1K1 857 919D ***	Trim Insert	Rabbit 07 ▶
	Tray	GTI 06.5 ▶

***See ETKA for color availability

- Adds convenient storage compartment for small items
- Easy installation

Underseat Glovebox



Part No.	Description	Application
1K0 882 601J *** or 1K0 882 599B ***	Underseat Glovebox driver side	Jetta/GLI 05.5 ▶ Rabbit 07 ▶ GTI 06.5 ▶
1K0 882 602E *** or 1K0 882 600B ***	passenger side	

*** See ETKA for color availability and additional hardware required.

- Adds convenient storage under the driver or passenger seat
- Front handle provides easy access while glide stops help ensure drawer won't open unexpectedly

Driver's Door Cassette Holder



1K0 868 481 9B9	Driver's Door Cassette Holder	Jetta/GLI	05.5 ▶
------------------------	-------------------------------	-----------	--------

- Holds four cassettes within driver's reach
- Easy installation– drops into door storage area

Roof Box Carrier Attachment



Part No.	Description	Application
000 071 200G UKR	Roof Box Carrier Attachment Size: 84" L x 34.4" W x 16.9" H Weight: 44lbs.	Fits All Carriers with T-slot profile

Constructed using high impact, UV resistant ABS plastic with ridged base channeling to make a durable yet very lightweight box. The eye-catching design and styling features a lowered front and rear, with the base and the spoiler on the lid designed to enhance aerodynamic properties.

The one-key locking system features a user-friendly, padded key and readable decal. The locking system has a built-in safety feature which means the key can only be removed when box is fully closed. Three lock down points on each side of box - one central lock for each side.

- 18 sq. feet of storage space, enough room for snowboards, skis (modern shorter shape-skis only), watersport equipment, luggage and camping gear
- Dual-side opening allows you to access gear from either side of your vehicle
- Struts help lift the lid open and shut with ease
- Aerodynamic shape reduces wind drag and noise
- Quick Grip hardware mounts to crossbars quickly and easily
- One Key System (locks included) with two matching locks and two oversized padded keys
- Finished in Metallic Silver or Metallic Black (687B)
- Limited Lifetime Warranty provided by the manufacturer (Thule)

New Beetle Index

Interior	Update
Bud Vase.....	9
Cupholder.....	9
Floor Mats	
Rubber.....01/22/08.....	7
Tufted Nylon.....01/22/08.....	6
Gear Shift Knob.....	8
Gorilla Grips.....	10
Pedal Caps.....01/22/08.....	11-12
Smoker Kit.....	9
Trunk Liner.....	10
Exterior	
Body Kits	
Front Valence.....	33
Side Skirt.....	33
Rear Valence.....	35
Diffuser.....	36
Cable & Lock Set.....	17
Car Cover.....	17
Convertible Storage Cover.....	16
Convertible Top Cleaner.....	16
Door Handle Protectors.....	37
Door Sill Protection.....07/01/07.....	37
Emblems.....	32
Exhaust Tips.....	39
Exhaust Muffler.....	40
Fender Protection Cover.....	38
Front End Cover.....01/22/08.....	15
License Plate Frame.....	See Car Care Section
Rear Bumper Protectors.....	36
Roof Edge Spoiler.....01/22/08.....	38
Splash Guards.....01/22/08.....	27
Spoilers (Front & Rear).....01/22/08.....	36
Sport Springs.....	34
Sun Blind, rear.....	13
Sunroof Air Deflector.....	32
Turbonium Graphite Kit.....	12
Valence Skirt—Lower Rear.....	35
Wind Stop.....07/01/07.....	14
Wind Stop Storage Bag.....	14

Wheels	Update
Alloy Wheels.....09/15/07.....	28-31
Lockable Wheel Bolts.....	31
Snow Chains.....	13
Valve Stem Caps.....	See Car Care Section

Racks	
Bike Holder	
Fork Mount Holder.....01/22/08.....	20
Single Bike Holder.....01/22/08.....	19
Carrier Bars.....	18
Kayak Rack Attachment.....	25
Luggage Basket.....	22
Luggage Platform.....	21
Roof Box Carrier Attachment.....01/22/08.....	41
Snowboard/Ski Attachment.....01/22/08.....	23
Snowboard/Ski Attachment Deluxe.....	24
Soft Luggage Carrier.....	21
Surfboard Attachment.....01/22/08.....	26

Electronics	
6 Disc CD Changer.....	2
CD Magazine Cartridge.....	3
iPod Adapter.....	5
Remote 6 Disc CD Changer.....	3
Telephone Console.....	4

6-Disc CD Changer

Suggested Retail Labor Time: **50**



Part No.	Description	Application
1J0 057 110	Center Console 6-Disc CD Changer	New Beetle Hardtop 03 ▶ 04 New Beetle Conv. 03 ▶ 04 (not available for GL model)
Note: also required 1C0 857 058 B 33N		Storage Compartment 1J0 057 110

- VW 1 DIN CD Changer for 6 CDs
- No additional CD magazine required
- Install in the "Jumbo Box" (center armrest) between front seats
- Installs in vertical position

Remote 6-Disc CD Changer

Suggested Retail Labor Time: 100



Part No.	Description	Application
1J6 035 111 or 1J6 057 111	Remote 6-Disc CD Changer Kit complete	New Beetle 98 ▶ 03 05 ▶
1C0 098 201	CD Changer Installation Bracket Kit	98 ▶
3B0 051 179	CD Magazine Cartridge 6-Disc	98 ▶

- While inserting, magazine must be kept level to prevent discs from sliding out
- Avoid inserting tray diagonally into slots
- Only one tray per slot



Phone Console

[Close Out](#)

Part No.	Description	Application
1C1 051 601 A 01C	Telephone Console black	New Beetle 99 ▶ 04

- Attaches to the center console of the dash
- The Console is a mount for mobile cell phone, PDA or other personal electronics
- Does not include any interface device to connect to electronics
- Phone cradle not included

iPod Adapter



Suggested Retail Labor Time: **150**

Passat shown

Part No.	Description	Application
1K0 051 444	iPod Adapter	New Beetle 98 ▶ New Beetle Convertible 03 ▶

This iPod adapter is intended to be connected to VW Original Radio/Radio Navigation Systems with a CD changer control system, and uses the same wiring connector positions as a CD Changer, Aux Jack*, or USB Connector. It will fit both older 1-DIN devices and new generation devices with a Quadlock connection.

* Unless equipped with stand alone Aux. button.

Single input system.

If you fit this iPod Adapter to a standard VW Radio as a Dealer Installed Accessory, or as a Factory installed option, the CD Changer, Aux Jack, or USB connector will be non-functioning. It is not possible to connect and operate two audio devices.

The integrated radio CD/DVD player is NOT affected by the addition of the 1K0 051 444 iPod adapter.

See Accessory Circular #059-08-06 for answers to Frequently Asked Questions about the use and applications of the iPod Adapter.

Not compatible with New Beetles equipped with Satellite Radio option

Floor Mats

Note: The oval retention clip is changing to a round retention clip, starting with some 2007 model years. It is important to verify whether the vehicle in question has the oval retention clip, or the larger diameter new round style retention clip, which is a running change. Due to model year production dates, always confirm the retention clip configuration prior to sale.

Part No.	Description	Application
ZVW 178 341	Nylon Floor Mats set of 4 round retention	New Beetle 98 ▶ 04 ▶ 05/30/03
ZVW 178 341 A	oval retention	New Beetle 04.5 ▶



Color Code:

- BLK** = Black
- BGE** = Beige
- GRY** = Grey

Visit ETKA Accessory section for clip information.



1C1 061 270P RYJ	Premium Textile floor mats w/logo Set of 4, oval clips	New Beetle 05 ▶	Anthracite
1C1 061 270PB RYJ	Set of 4, new style round clips	New Beetle 05 ▶	Anthracite
1C1 061 275P RYJ	front, oval clips	New Beetle 05 ▶ 06	Anthracite
1C1 061 275PB RYJ	front, new style round clips	New Beetle 07 ▶	Anthracite
1C0 061 276P RYJ	rear, oval clips	New Beetle 05 ▶	Anthracite



Single Components:

- 3D0 898 501 ***** 1 set Mat securing parts, oval clips
- 3D0 898 501B ***** 1 set Mat securing parts, new style round clips
- 3C0 061 795 9B9** 1 set of 4 Mat clips, new style round clips

***Color Code: **71N** Black

Mounting points are not required for rear mats

Self Threading Carpet Anchors:

-  **3D0 061 494 A** 1 set of 4 self threading anchors, Phillips head
-  **3D0 061 796** 1 set of 4 self threading anchors, twist-knob head

Floor Mats

Part No.	Description	Application
	Floor Mats Deep Groove "Monster" Mats	
ZVW 179 003	set of 4 round retention	New Beetle ► 05/30/03
1C1 061 551H 041	oval retention	New Beetle 04.5 ►
1C1 061 551HB 041	new style round retention, w/ 8 anchor mounting posts	New Beetle 07 ►



- High quality mats, made to take the abuse of an active life style
- Help protect vehicle carpet from snow, sand, mud, rain and slush
- Positive retention clip and a ribbed back help ensure mats stay in place

Single components

3D0 898 501 ***	1 set securing parts, oval clips	► 5/03
3D0 898 501B***	1 set securing parts, new style round clips	6/03 ►
3C0 061 795 9B9	1 set of 4 clips, new style round clips	

*** = Color Code: 71N Black



Rubber Floor Mats
set of 2 Front
front

1J1 061 501 041		New Beetle	98 ► 7/99
1J1 061 501B 041			8/99 ► 04
1J1 061 501C 041			05 ►
1J0 061 511 041	rear		98 ►

- Available as a set of two, front or rear
- Designed to help protect the O.E. carpeting in all kinds of weather
- Waffle pattern



Self Threading Carpet Anchors:

3D0 061 494 A 1 set of 4 self threading anchors, Phillips head



3D0 061 796 1 set of 4 self threading anchors, twist-knob head

Gear Shift Knob

[Close Out](#)


Part No.	Description	Application
1J0 064 225 B	Gearshift Knob Burl Walnut	New Beetle Hard Top 99 ▶

- Gearshift knob offering a firm grip of genuine Burl Walnut for manual transmission only
- 5-speed shift pattern integrated into top of this symmetrical shaped gearshift knob



1J0 064 226 B	Gearshift Knob Aluminum Look Finish	New Beetle Hard Top 99 ▶
----------------------	--	-----------------------------

- Gearshift knob for manual transmission only
- 5-speed shift pattern integrated into top

Bud Vase

Part No.	Description	Application
1C0 858 461 8NE	Bud vase Cloud Blue	98 ▶
1C0 858 461 7NS	Sunbeam Yellow	
1C0 858 461 6TP	Clear	
1C1 858 449 NCQ	Clear with brushed aluminum look trim	



Cupholder

ZVW 919 001	Cupholder	New Beetle Hard Top	99 ▶ 02
--------------------	-----------	------------------------	---------

- Ultimate cup holder
- Unique two size design with slots for handles
- Fits firmly into armrest



Smoker Kit

1C0 898 961 7DE	Smoker Kit Lighter included grey	New Beetle	99 ▶ 1/01
1C0 898 961 08H	beige		
1C0 898 961A 3SG	grey		2/01 ▶ 05
1C0 898 961A 2QL	black		
1C0 898 961A 08H	beige		

This textured slate grey or beige ashtray fits neatly into the cupholder.



Trunk Liner



Part No.	Description	Application
1C0 061 166H 469	Gorilla-Gear Cargo Mat Trunk Liner – molded includes Gorilla-Grips	New Beetle 98 ► Hard Top

The molded carpet trunk liner has been designed as a color-matched custom fit for the rear cargo area. The trunk liner has been manufactured to help protect the OE carpeting from mud, dirt, snow or water, and the hobnail construction adds durability. A moisture resistant barrier and molded outer edge “catches” unwanted elements from penetrating the vehicle’s carpet. A cut-out area has been provided to accommodate the CD application. And, best of all, the tray is simple to clean—just hose it off.

Gorilla Grips



ZVW 380 301	Gorilla-Grips set of 4	All 98 ►
--------------------	---------------------------	----------

- Designed to work with the Gorilla-Gear Cargo Mat
- Strong Velcro® backers fasten tightly to the looped polywear surface
- Perfect for grouping, dividing and protecting goods and cargo



Pedal Caps



Part No.	Description	Application	Transmission
8N1 064 200	SPORT Set - Metal, incl. accelerator, brake & clutch pedal caps	New Beetle Hardtop Convertible	98 ▶ M 03 ▶ M
8N1 721 647B	SPORT Metal accelerator pedal cap	New Beetle Hardtop Convertible	98 ▶ A 03 ▶ A
8N0 723 173E	SPORT Metal brake pedal cap	New Beetle Hardtop Convertible	98 ▶ A 03 ▶ A
1C1 864 777	SPORT Metal Foot Rest	New Beetle Hardtop Convertible	98 ▶ B 03 ▶ B

Transmission: **A = Automatic**
M = Manual
B = Both

- Installation instructions included

JNV 711 001	R-LINE Set - Metal, incl. accelerator, brake & clutch pedal caps	New Beetle Hardtop Convertible	98 ▶ M 03 ▶ M
1J1 721 647A B41	R-LINE Metal accelerator pedal cap	New Beetle Hardtop Convertible	98 ▶ A 03 ▶ A
1J0 723 173D B41	R-LINE Metal brake pedal cap	New Beetle Hardtop Convertible	98 ▶ A 03 ▶ A
JNV 864 777	R-LINE Metal Foot Rest	New Beetle Hardtop Convertible	98 ▶ B 03 ▶ B

Transmission: **A = Automatic**
M = Manual
B = Both

- Installation instructions included



Pedal Caps



Part No.	Description	Application	Transmission
1M1 721 535A	"Dots" Metal accelerator pedal cap	New Beetle	98 ▶ M
		Hardtop Convertible	03 ▶ M
1M0 721 275A	"Dots" Metal brake pedal cap	New Beetle	98 ▶ M
		Hardtop Convertible	03 ▶ M
1M0 721 961A	"Dots" Metal clutch pedal cap	New Beetle	98 ▶ M
		Hardtop Convertible	03 ▶ M
1M1 864 551B B41	"Dots" Metal Foot Rest	New Beetle	98 ▶ B
		Hardtop	03 ▶ B
		Convertible	03 ▶ B

Transmission: **M = Manual**
B = Both

Turbonium Graphic Kit Close Out



Part No.	Description	Application
ZVW 335 001 BLK	Turbonium Graphic Kit kit complete Black	New Beetle 1.8T
ZVW 335 001 WHT	White	

- Uniquely personalized vehicle with a racing motif stripe and the Turbonium symbol behind the passenger and driver doors
- Manufactured with pigmented black or white colors to contrast with vehicle finish
- Turbonium graphic is fade resistant and durable in all climates
- Installation instructions and squeegee included in each kit
- Designed for do-it-yourself enthusiasts

Sun Blind, rear



Part No.	Description	Application
1C0 064 160	Sun Blind for rear window	New Beetle 98 ►

- For vehicles without rear spoiler. No tools required for installation.
- Folding hinges make removal of the sun blind easy.

Snow Chains*

Close Out



000 091 386C	Snow chains (195/65 R15 - 15"x 6" ET 38 rim)	New Beetle 98 ►
000 091 386D	Snow chains (205/55R16 - 16"x 5.5" ET36 rim)	New Beetle 98 ►

- Special RUD snow chain. Easy and quick fitting to stationary vehicle possible. Special fine-linked chain. The spring steel shackle chain is pre-adjusted and always ready for fitting. TÜV tested. With fitting instructions 2 per set.

*Check state, county, province and local laws prior to operating your vehicle with snow chains. Consult your Owner's Manual for information about the safe use of snow chains on your vehicle.

Windstop



Part No.	Description	Application
1Y0 862 951 A	Windstop complete with attaching hardware, installation instructions	New Beetle Convertible 03 ▶

Relaxed open-top driving—and not only at 20 mph!

A touch of elegance in a classic design allowing you to race with the wind.

The Windstop is a precision-fitting unit designed to minimize annoying and unpleasant air turbulence, which reverberates around the windshield. Convertible fans, driving with the top down, can enjoy the unobstructed view in every direction.

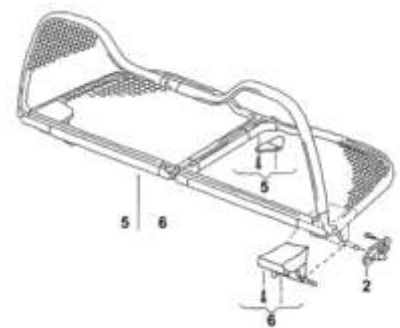
During milder days, with the heater on and the windows rolled up, the Windstop enhances the effect of the Convertible heater system, while providing Convertible fans enjoyment of top-down driving for a longer season.

The Windstop is made of black vinyl and mesh screen merging style, elegance and function while providing durability and practicability. The design and engineering of the unit allows for easy installation without any additional or permanent mounting, special tools or drilling, and does not have to be removed to put the top up. The unit can be removed and secured in the storage bag.

See ETKA for information about Locking Pins Breakage on the Wind Deflector.

Single Components:

1Y0 862 957	Windscreen Pivot (left)	New Beetle	03 ▶
1Y0 862 958	Windscreen Pivot (right)		
1Y0 862 655	Coupling Piece (left)		
1Y0 862 656	Coupling Piece (right)		
1Y0 862 685	Left Locking Pin Kit, set of 4 pins/fasteners		
1Y0 862 686	Right Locking Pin Kit, set of 4 pins/fasteners		



Windstop Storage Bag



1Y0 862 965 A	Storage bag	All
----------------------	-------------	-----

Front End Cover



Suggested Retail Labor Time: **50**

Part No.	Description	Application
ZVW 193 022B	Front End Cover 2 piece set complete	New Beetle 99 ▶ 05
ZVW 193 023	Front End Cover 2 piece set complete (Vinyl)	New Beetle 06 ▶ Convertible 06 ▶
ZVW 193 117	(Close Out)	New Beetle Turbo S 02 ▶ 04

Not applicable for vehicles with front valance or headlight washer system.

Designed for the protection of those finished front end surfaces most susceptible to damage from flying road debris. For user convenience, engine compartment opens without detachment of cover. Constructed for fitting to the vehicle with combinations of padded hi-flex metal tabs, coated hooks and elastics especially suitable for DIY installation, without drilling. Outline is provided for access opening front license plate. Vehicle logo-type embroidered in silver thread.

Made from premium grade materials to ensure optimum useful service life:

- High gloss vinyl of 14 oz./sq. yd. weight, UV and mildew resistant, with backing of 8 oz./sq. yd. polyester foss
- High tensile strength polyester binding used on all seams and edges
- All fasteners (tabs, hooks, elastics) enveloped and surface protected with non-corrosive covered/sheathing

See Accessory Circular #022-08-06 UCF for additional information

Convertible Storage Cover



Part No.	Description	Application
1Y0 871 041C A64	Convertible Storage Cover	New Beetle Convertible 03 ▶
Color Code:		
A64	Black	
5QT	Flannel Grey	
7PW	Cream Beige	

ZVW 825 001	Convertible Top Cleaner	All
--------------------	-------------------------	-----

- Cleans grime and airborne contaminants from convertible tops
- Periodic application helps prevent mildew growth
- 16 oz (475 mL) container with spray nozzle



Car Cover



Part No.	Description	Application
ZVW 400 100	Car Cover – TYVEK® (Close Out) silk screened logo	New Beetle 98 ▶
ZVW 400 120	Car Cover – Stormshield™ 3 layers, silk screened logo complete with storage bag	98 ▶ 05
ZVW 400 125		New Beetle Convertible 03 ▶ 05
1C0 061 206H	Car Cover - "Stormproof"	New Beetle Hardtop 06 ▶
1C0 061 207H	Car Cover - "Stormproof"	New Beetle Convertible 06 ▶

- High degree of moisture repellence and breathability
- Long life ultraviolet (UV) resistance
- Resistance to dust, acid rain, tree sap and other airborne particulate matter
- Light weight for easy installation and removal
- Custom mirror pockets
- Plastipane rear license plate window
- Double stitch seams for strength and long life
- Elasticized hems for fit and stability and tie-down grommets

Important Notes

Do not use a cover on a vehicle which has been repainted within the last 6 months.

If your vehicle has delicate paint, such as lacquer, exercise caution. Some repainted vehicles are not painted properly and may blister.

If there is excessive wind and your cover is flapping against your vehicle, remove the cover.

Do not cover a vehicle while it is being towed.

If a haze appears on your windows after covering your vehicle, it is caused by airborne pollution. Wash your cover.

Troubleshooting

The main problems people encounter with their cover is residual thread or lint left on the vehicle after covering it.

This is just excess material left over from the manufacturing process, and will stop after the first two weeks of use.

See Accessory Circular #027-08-06 UCF for additional information

ZVW 400 110 Cover Cable and Lock set

The nonscratching plastic coated cable slides through the special sewn-in grommets, and the lock keeps the cover secured to the vehicle.



Roof Carrier System - Carrier Bars



Part No.	Description	Application
1C0 071 126	Carrier Bars, Basic lockable set of 2 cross bars complete with mounting instructions and hardware	New Beetle Hard Top 98 ►

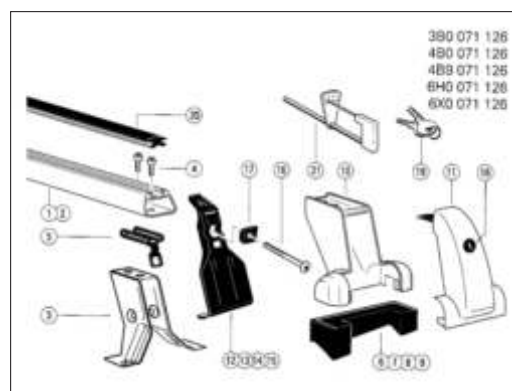
Two plastic-coated aerodynamic aluminum cross bars. Anodized aluminum section. Plastic supporting feet, cover caps and covers. Galvanized plastic coated steel plate. The lockable unit has built-in cylinder locks mounted into the full length end bracket covers.

Bar dimensions: 1350 x 180 x 270 mm / weight: 7.0 kg

The maximum permissible roof load is 165 lbs/75 kg, evenly distributed. Consult your Owner's Manual for weight specifications.

Single Components:

- Abdeckkappen Pos. 11 3B0 071 738 4
- Schloßsatz 3B0 071 734 4
- Drehm.-SchlüsselSW 6. 3B0 071 712 1
- Verschr.-SatzPos. 16,17. 3B0 071 737 je2x
- Lasche f. Abdeckkappe 3B0 071 701 4
- Auflagesatz-vorne 3B0 071 713
- Pos.6, Pos. 8 je1x
- Auflagesatz-hinten. 3B0 071 713 A
- Pos. 7, Pos. 9 je1x
- Spoiler-Set, silber 000 071 715 666 3
- Kunststoff-Profilleiste. 000 071 740 1



Bike Carrier System

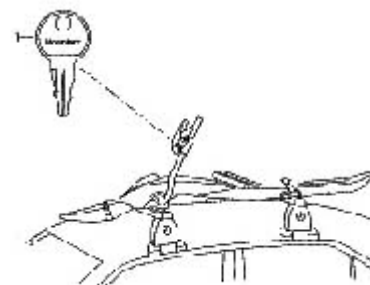


Part No.	Description	Application
6Q0 071 128 A	Bicycle Holder Attachment for 1 bicycle. Complete with mounting hardware and instructions	Fits All with "T Slot" Basic Carrier Bars

Bike Holder dimensions: 1580 x 180 x 290 mm / weight: 4.6 kg

- For transport of Touring, Mountain and Racing Bikes in an upright position.
- Built-in lock and rugged design prevents damage to valuable bicycles.
- Up to three (3) bicycles can be mounted using a staggered formation.
- **NOTE:** Some of the largest downhill race tire sizes may not fit.
- Maximum frame width=80mm, maximum tire width=56mm, maximum frame height=90mm

Part No.	Description	Application
000 092 795 AA	Code Keys	Fits All MontBlanc
000 092 795 AB	1 Set of Code Keys	Code 21
000 092 795 AB	1 Set of Code Keys	Code 23
000 092 795 AC	1 Set of Code Keys	Code 25
000 092 795 AD	1 Set of Code Keys	Code 27
000 092 795 AE	1 Set of Code Keys	Code 29

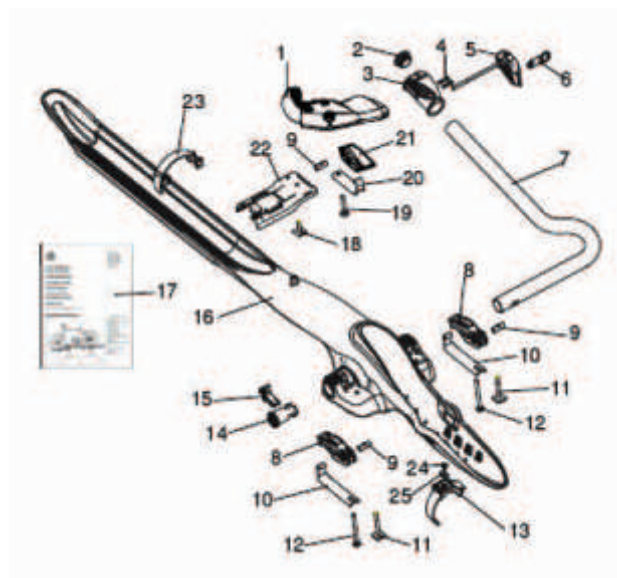


- Original replacement keys for Montblanc roof carrier and attachment parts

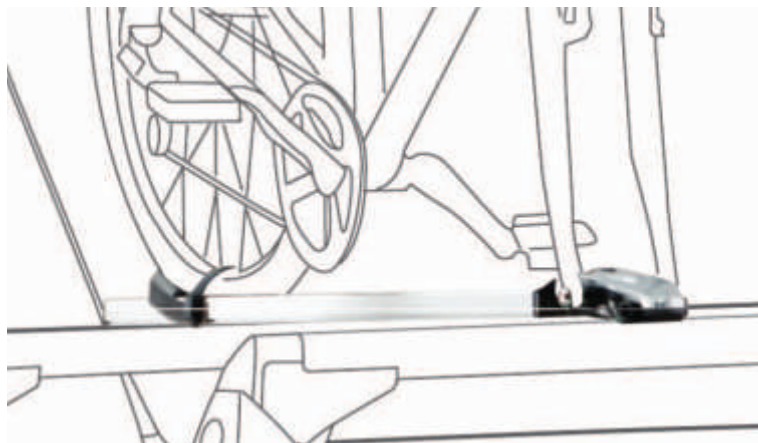
Single components Bicycle Holder 6Q0 071 128 A

Key#	Description	Qty.	Key#	Description	Qty.
1Frame holder.....	1	14Securing sleeve.....	1
2Cap.....	1	15Tlocking device.....	1
3Tube clamp.....	1	16Wheel mount.....	1
4Screws (for plastic).....	2	17Fitting instructions.....	1
5Lever for frame holder.....	1	18T-screw, short.....	1
6Lock.....	1	19Screw, short.....	1
7Securing tube.....	1	20Securing bracket, rear.....	1
8Front lever.....	2	21Rear lever.....	1
9Pin.....	3	22Rear securing plate.....	1
10Securing bracket, front.....	2	23*Rear wheel holder.....	1
11T-screw, long.....	2	24Screw.....	1
12Screw, long.....	2	25Nut.....	1
13*Front wheel holder.....	1			

*Spare parts can be ordered under part # **6Q0 071 740**



Bike Carrier System

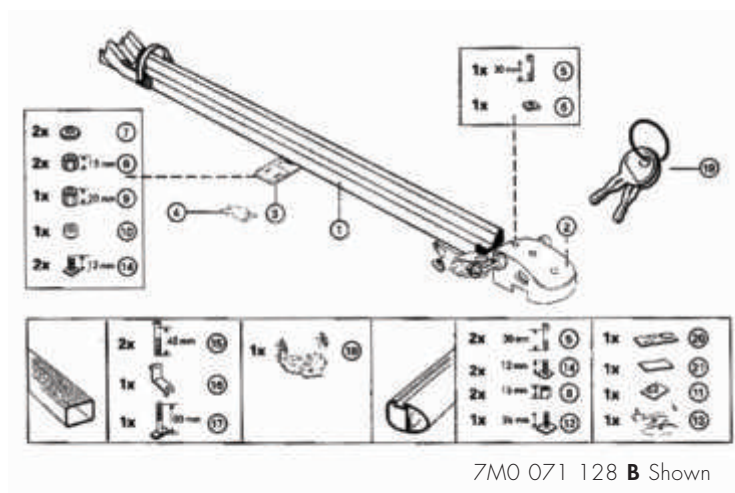


Part No.	Description	Application
7M0 071 128 C	Accepts bikes with disc brakes Bicycle holder for fork attachment Bike Holder dimensions: 1320 x 85 x 130 mm / weight: 2.8 kg Fits up to 3 racks (2 forward, 1 rear facing)	Fits All with Basic Carrier Bars

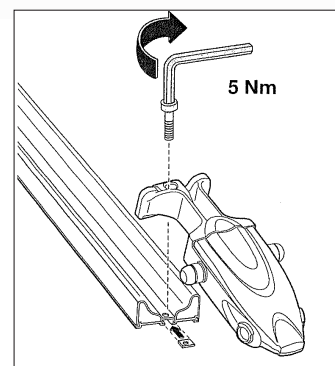
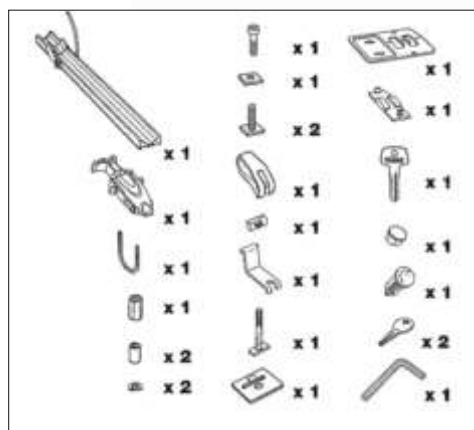
NOTE: The holding strap may not fit some of the largest downhill race tire sizes.

Single Components:

Description	Qty.	Part No.
Lock	1	1F0 071 267A
Loslager, Unterlegplatte	1ea.	1F0 071 737D
Spannband aus Radhalt.	1	1F0 071 740
Endkappen	2	1F0 071 745
Radhalterung	1	1F0 071 746



7M0 071 128 B Shown



7M0 071 128 C
("C" version front fork mount)

Luggage Platform



Part No.	Description	Application
00H 071 130	Luggage Platform complete with mounting hardware and instructions	Fits All with Basic Carrier Bars

Basket dimensions: 1140 x 120 x 950 mm / weight: 10.0 kg

- Provides shallow tray
- Pre-assembled
- Aluminum construction
- Cargo tie-down equipment sold separately

Soft Luggage Carrier



ZVW 193 800	Soft Luggage Carrier and Luggage Basket 191 071 130 F or Luggage Platform 00H 071 130	All
--------------------	---	-----

- Heavy duty
- Weather proof
- Black polyester construction
- Accommodates 7.7 cubic feet of cargo
- 6 tie-down straps with quick release buckles
- Covered zipper

Classic Luggage Basket



Part No.	Description	Application
----------	-------------	-------------

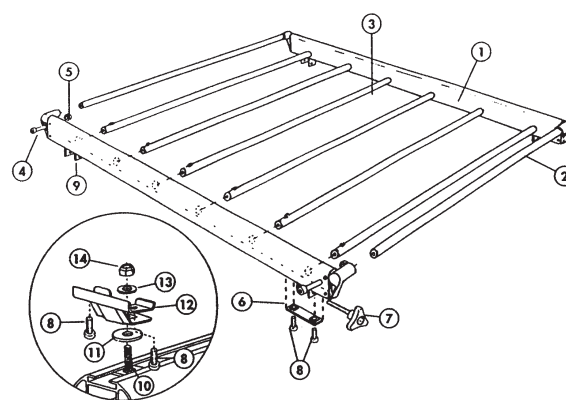
191 071 130 F	Classic Luggage Basket complete with mounting hardware and instructions	Fits All with Basic Carrier Bars
----------------------	---	----------------------------------

- Galvanized steel, black plastic coated
- Transverse end tubular bars, front and rear, are adjustable:
 Closed: up position forms a luggage basket
 Open: down position forms a loading platform

Luggage Basket dimensions: 1120 x 70 x 200 mm / weight: 6.8 kg

Single components - Luggage Basket 191 071 130 F

Key No.	Description	Qty.	
1	Side Section	2	
2	Retaining bar	1	191 071 736 B
3	Supporting bar	1	191 071 736 E
7	Capstan head screw	4	191 071 739
	Mounting Kit		191 071 736 D
4	Self tapping screws	12	
5	Plastic washer	12	
6	Hex head bolt	8	
10	Threaded shackle	4	
11	Hex head nut	4	
12	T-shaped keyway insert	4	
13	Shackle	4	
14	U-shaped shackle	4	
	Set of Screw Connectors		191 071 743 C
6 Hex head bolt	8	
9 Hex head nut	4	
8 Slotted bolt	4	



Snowboard/Ski Attachment



Part No.	Description	Application
3B0 071 129 UA	Snowboard/Ski attachment – lockable complete with mounting hardware	Fits All with Basic flat Carrier Bars

- Carries four pairs of skis or two snowboards
- Perfect blend of styling, quality and rugged design
- Installs quickly on base carrier and features an oversized push button locking hood that allows for easy opening and closing with gloves on
- Wide semi-rigid rubber profile design provides a snug secure fit for snowboard or skis

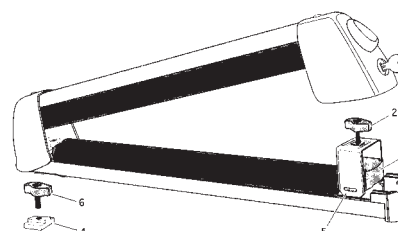
Ski Rack dimensions: 790 x 130 x 130 mm / weight: 3.6 kg

Single components – Snowboard/Ski attachment **3B0 071 129 UA**

Key

No.	Description	Qty.
1	Ski/Snowboard carrier	2
2	Wing bolt, M6x35	4
3	Spacer block	4
4	Keyway, M6	4
5	Retaining clip	4
6	Wing knob, M6x20	2
7	Key	2

Attachment Kit
3B0 071 737A



Snowboard/Ski Attachment – Deluxe



Part No.	Description	Application
1T0 071 129	Deluxe Snowboard/Ski attachment – lockable complete with mounting hardware	Fits All with Basic Carrier Bars

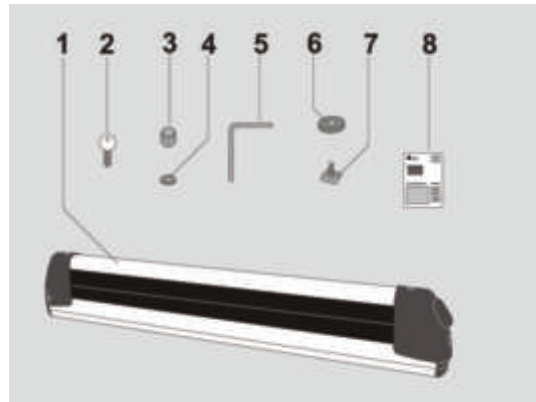
- For maximum of 6 pairs of skis or 4 snowboards
- Easy to load and unload with a practical pull-out action
- Lockable
- Made from anodized aluminum section

Ski Rack dimensions: 835 x 130 x 130 mm / weight: 4.8 kg

Single components – Snowboard/Ski attachment **1T0 071 129**

Key

No.	Description	Qty.
1	Ski/Snowboard holder	2
2	Key	2
3	Allen nut M6	4
4	Spring washer	4
5	Allen key SW5	1
6	Plastic washer	4
7	T-bolt M6x16	4
8	Fitting instructions	1



Kayak Holder



Shown on Jetta

Part No.	Description	Application
1K0 071 127	Kayak Rack Attachment	Fits All with Basic Carrier Bars



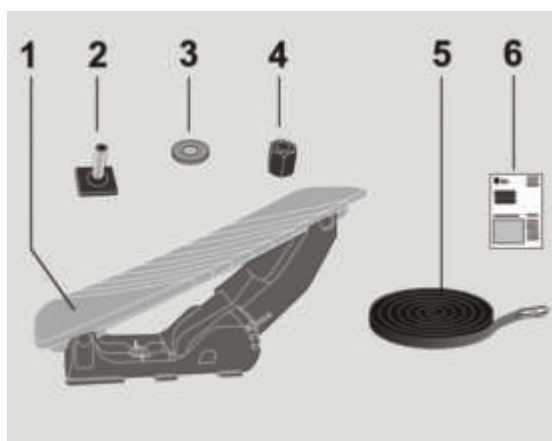
- 4 rubber coated holders which adapt to the shape of the kayak
- Tie straps included
- Holds one kayak

Rack dimensions: 480 x 190 x 120 mm / weight: 1.75 kg
 Load maximum: 55 lb/25 kg. Consult your Owner's Manual for weight specifications and important safety information.
 Maximum kayak length: 8 ft. 2 in./2.4 m

Single components – Kayak attachment – **1K0 071 127**

Key

Item	Description	Qty
1	Kayak holder	4
2	Slide block M6 x 22	4
3	Washer M6	4
4	Hex nut M6	4
	15mm high	
5	Tensioning strap	2
	approx. 4.000 mm	
6	Fitting instructions	1



Surfboard Holder



Part No.	Description	Application
----------	-------------	-------------

445 071 127	Surfboard Holder Attachment Close Out	Fits All with Basic Carrier Bars
--------------------	--	----------------------------------

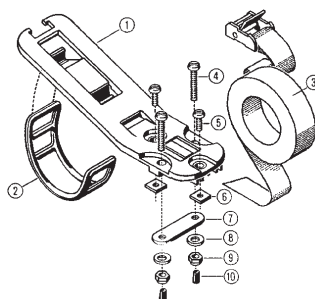
- 4 plastic holders which adapt to the shape of the surfboard
- For transporting of 1 or 2 surfboards with masts

Holder dimensions: 310 x 100 x 140 mm / weight: 1.84 kg

Single components – Surfboard attachment – **445 071 127**

Key

No.	Description	Part No.
2	Tensioning Rubber	445 071 737B
4	Hardware Kit	445 071 737C



Replaced by 000 071 120H

000 071 120H	Surfboard Holder Attachment	Fits All Carriers with T-slot profile
---------------------	-----------------------------	---------------------------------------

The surfboard holder transports your surfboard safely to the destination. The surfboard and two masts are held in place by robust fastening fixtures. The rubber-coated surfboard supports and special rubber protection for metal clips on the retaining straps ensure the highest possible protection for your surfboard during transportation.

- Surfboard nose must point downwards in the direction of travel
- Suitable for 1 surfboard and 2 masts only

Includes:

- 2 Surfboard supports
- 2 Retaining straps (275 cm each)
- 2 Rubber caps
- 4 Mast holders with retaining straps



Splash Guards



Suggested Retail Labor Time: **40**

Part No.	Description	Application
	Splash Guards complete with mounting hardware and installation instruction	New Beetle 98 ▶ 05 Not applicable for Turbo S
1C0 075 111	Front, set of 2	
1C0 075 101	Rear, set of 2	

- Packaged as a set of two (2), front or rear
- Designed for a flush contour fit to help ensure body protection



1C0 075 101B	Splash Guards rear includes mounting hardware and installation instruction	New Beetle 06 ▶
1C0 075 111B	Splash Guards front	New Beetle 06 ▶

- Damage from road chippings is reduced and spray minimized
- Color: Matte black

Alloy Wheels

A note about our wheel and summer performance tire assemblies: Our high performance wheel and tire assemblies as well as some of the tires required for our larger diameter accessory alloy wheels are designed for optimum performance and handling in warm climates. They are not suitable for cold, snowy, or icy weather conditions. If the car is driven under those circumstances, the vehicle should be equipped with all-season or winter tires which offer better traction under those conditions. We suggest you use the recommended winter or all season tire specified for the vehicle or its equivalent. These high-performance tires also have a lower aspect ratio that aids performance and handling; however, in order to avoid tire, rim, or vehicle damage, it is important that the inflation pressure is regularly checked and maintained at recommended levels. Please also remember in making your selection that, while these tires deliver responsive handling, they may ride less comfortably and make more noise than other choices. Finally, these tires may wear more quickly than other choices. For further information on all these topics, please consult the vehicles owner's manual or call your facing Parts Distribution Center.

Part No.	Description	Application		
6Q0 071 492 666	20-spoke Light Alloy Wheel 7J x 17 ET38 Brilliant/Silver Metallic	New Beetle	98 ▶ 07*	225/45 R17

- Attractively designed rim, harmonious styling
 - Uses standard wheel bolts and rubber valve
- * **Note: Not compatible with TPMS for any model year**

The alloy wheel is supplied 1 per box complete with VW Hub Cap and instructions.
For secure mounting and safe operation: only original Volkswagen wheel mounting bolts – M12 x 1.5 23.5mm – should be used. All caution statements in vehicle's owner's manual should be observed.

Single Components

6Q0 071 213	Center Hub Cap – VW
or	
1J0 601 171 BXF	



Exor

1J9 071 492 666	5-spoke Light Alloy Wheel 7.5J x 17 ET38 Complete with VW Logo Hub Cap Brilliant/Silver Metallic	New Beetle	98 ▶ 07*	225/45 R17
------------------------	---	------------	----------	------------

- Attractively designed rim, harmonious styling
 - Uses standard wheel bolts and rubber valve
- * **Note: Not compatible with TPMS for any model year**

The alloy wheel is supplied 1 per box complete with VW Hub Cap and instructions.
For secure mounting and safe operation: only original Volkswagen wheel mounting bolts – M12 x 1.5 23.5mm – should be used. All caution statements in vehicle's owner's manual should be observed.

Single Components

1C0 071 213	Center Hub Cap – VW
--------------------	---------------------



Delta X

1J0 071 490 A 666	5-spoke Light Alloy Wheel 7J x 15 ET38 Complete with VW Logo Hub Cap Brilliant/Silver Metallic	New Beetle	98 ▶ 07*	195/65 R15 205/60 R15
--------------------------	---	------------	----------	--------------------------

- Attractively designed rim, harmonious styling
 - Harmonious styling
 - Uses standard wheel bolts and rubber valve.
- * **Note: Not compatible with TPMS for any model year**

The alloy wheel is supplied 1 per box complete with VW Hub Cap and instructions.
For secure mounting and safe operation: only original Volkswagen wheel mounting bolts – M12 x 1.5 23.5mm – should be used. All caution statements in vehicle's owner's manual should be observed.

Single Components

1J0 071 213 666	Center Hub Cap – VW
------------------------	---------------------

3rd Edition 07/01/07



Mambo

Alloy Wheels

Part No.	Description	Application
ZVW 145 001 DSP	16 spoke light alloy wheel 6.5J x 16 Brilliant/Silver Metallic	New Beetle 98 ▶ 07*

205/55 R16

**BBS RX II**

- Attractively designed rim, harmonious styling
 - Uses standard wheel bolts and rubber valve
- * **Note: Not compatible with TPMS for any model year**

Dealer Drop Ship Program - USA

Single Components

Center Hub Cap – VW

1J6 071 492 666	5-spoke Light Alloy Wheel 7.5J x 17 ET38 Brilliant/Silver Metallic	New Beetle 98 ▶ 07*
-----------------	--	---------------------

225/45 R17

**Evolo STP**

- Attractively designed rim, harmonious styling
 - Uses standard wheel bolts and rubber valve
- * **Note: Not compatible with TPMS for any model year**

Single Components

1C0 071 213

Center Hub Cap – VW

1J5 071 492 1ZL	10-spoke Light Alloy Wheel 7J x 17 ET 38 Brilliant/Silver Metallic	New Beetle 98 ▶ 07*
-----------------	--	---------------------

225/45 R17

**Siata**

- Attractively designed rim, harmonious styling
 - Uses standard wheel bolts and rubber valve
- * **Note: Not compatible with TPMS for any model year**

Single Components

1C0 071 213

Center Hub Cap – VW

1J6 071 492 666	5-spoke Light Alloy Wheel 7.5J x 17 ET38 Complete with VW Logo Hub Cap Brilliant Silver Metallic	New Beetle 98 ▶ 07*
-----------------	---	---------------------

225/45 R17

**Bravo**

- Attractively designed rim, harmonious styling
 - Uses standard wheel bolts and rubber valve
- * **Note: Not compatible with TPMS for any model year**

Single Components

6N0 601 171 BXF

Center Hub Cap – VW

Alloy Wheels

Part No.	Description	Application
----------	-------------	-------------

1C0 071 491 666	5-spoke Light Alloy Wheel 6.5J x 16 ET42 Complete with VW Logo Hub Cap Brilliant/Silver Metallic	New Beetle 98 ▶ 07* 205/55 R16
------------------------	---	-----------------------------------

- Attractively designed rim, harmonious styling
 - Uses standard wheel bolts and rubber valve
- * **Note: Not compatible with TPMS for any model year**

Locking wheel bolt set **000 071 591 A**

The alloy wheel is supplied 1 per box complete with VW Hub Cap and instructions. All caution statements in vehicle's owner's manual should be observed.

Single Components

1C0 071 213	Center Hub Cap – VW
--------------------	---------------------



Rave

1J9 071 496 666	5-spoke Light Alloy Wheel 6J x 15 ET38	New Beetle 98 ▶ 07*	195/65 R15 or 205/60 R15
1J6 071 491 666	6.5J x 16 ET42 Complete with VW Logo Hub Cap Brilliant/Silver Metallic		205/55 R16

- Attractively designed rim
 - The alloy wheel is supplied 1 per box complete with VW Hub Cap
 - Uses standard wheel bolts and rubber valve
- * **Note: Not compatible with TPMS for any model year**

Single Components

1C0 071 214	Center Hub Cap – VW
--------------------	---------------------



Reggae

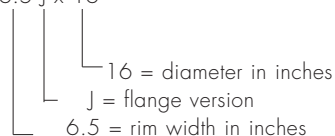
6Q1 071 497 666	5-spoke Light Alloy Wheel 7J x 17 ET38 Complete with VW Logo Hub Cap Brilliant/Silver Metallic	New Beetle 98 ▶ *	225/45 R17
------------------------	---	-------------------	------------

- Attractively designed rim
 - Harmonious styling
 - Uses standard wheel bolts and rubber valve
- * **Note: Compatible with TPMS for any model year**

Single Components

1J0 601 171 BXF	Center Hub Cap – VW
------------------------	---------------------

Legend: 6.5J x 16



Goal

Alloy Wheels

Part No.	Description	Application
----------	-------------	-------------

1J9 071 491 666	6-spoke Light Alloy Wheel 7J x 16 ET38 Complete with VW Logo Hub Cap Brilliant/Silver Metallic	New Beetle 98 ▶
------------------------	---	-----------------

- Attractively designed rim
- Harmonious styling
- Uses standard wheel bolts and rubber valve

The alloy wheel is supplied 1 per box complete with VW Hub Cap and instructions. All caution statements in vehicle's owner's manual should be observed.

Single Components

7M0 071 214A	Center Hub Cap – VW
---------------------	---------------------



Contur

JNV 601 025	15-spoke Light Alloy Wheel 7.5J x 17 ET38 Complete with VW Logo Hub Cap Sterling Silver	New Beetle 98 ▶
--------------------	--	-----------------

- Attractively designed rim
- Harmonious styling
- Uses standard wheel bolts and rubber valve

Single Components

1J0 601 171 BXF	Center Hub Cap – VW
JNV 601 171 BXF	Center Hub Cap – R-Line



(R-Line shown)

225/45 R17



R Line

000 071 597	Lockable Wheel Bolts	New Beetle set of 4 complete with matched key 98 ▶
--------------------	----------------------	--

- Weight, shape and length correspond to the standard wheel bolts.
- Standard wheel bolts can still be used on all wheels.
- Convenient point of sale case

Not for use in conjunction with standard two-piece wheel bolts with loose spherical collar.



Sunroof Air Deflector



Suggested Retail Labor Time: **50**

Part No.	Description	Application
ZVW 452 201	Air Deflector – Sunroof kit complete with mounting hardware, gasket and instructions	New Beetle Hard Top 98 ▶

- One-piece molded tinted acrylic Plexiglas
- One bracket per side clamps into the sunroof opening
- Installation without drilling

Emblems



1C0 853 617 39A	Emblems front	New Beetle 98 ▶ 05
1C0 853 630 D 39A	rear	98 ▶ 01
1C0 853 630 L 39A	rear	02 ▶ 05

Body Kits



Part No.	Description	Application	
1C0 071 609 U 9AX or 1C0 071 609 UK 9AX	Front Bumper kit complete 1 piece	New Beetle Hard Top New Beetle Convertible	98 ▶ 05 03 ▶ 05

Special Order

- Installation and painting instructions included
- Painting of spoiler to body color required
- 2 front driving lights
- Mesh lower grill inserts

Models with foglights only
Not available for Turbo S



1C0 071 685 9AX or 1C0 071 685K 9AX	Side Skirts kit complete 2 pieces	New Beetle Hard Top New Beetle Convertible	98 ▶ 05 03 ▶ 05
---	---	---	--------------------

- Installation and painting instructions included
- Painting of spoiler to body color required

Sport Springs



Part No.	Description	Application	Engine	Transmission	
1C0 071 676	Sport Suspension Kit kit complete w/AC, Manual/Auto Trans	New Beetle GL	98 ▶ 05	2.0L	Auto & Manual
		New Beetle GLS	98 ▶ 05	2.0L	
		New Beetle TDI	98 ▶ 05	1.9L	
		New Beetle 1.8T	98 ▶ 05	1.8L	

U.S.A. and Canada

Not for vehicles equipped with factory lowered sport suspension

- Lowers the standard center of gravity of the vehicle without sacrificing comfort
- High dynamic load capacity
- Sporty look
- High quality corrosion protection

Body Kits



Part No.	Description	Application	
1C0 071 610 UB 9AX	Rear Valance kit complete 1 piece	New Beetle	98 ▶ 05
Not available for New Beetle Convertible			
1C0 071 611A 9AX	Diffuser for Sport Exhaust		
1C0 071 611 9AX	Diffuser for Factory Exhaust		

Rear Bumper Protectors



1C0 061 197	Clear Vinyl Protector	New Beetle Hard Top & Conv	98 ▶ 05
1C5 061 197	Clear Vinyl Protector	New Beetle Convertible	06 ▶
1C0 061 197 A	Clear Vinyl Protector	New Beetle Hard Top	06 ▶

- Transparent, scratch-resistant, high-grade plastic
- Virtually disappears when applied
- Protects the upper surface and the trailing edge

Spoilers

Part No.	Description	Application
----------	-------------	-------------

1C0 071 316 K	Front Spoiler	98 ▶ 05
----------------------	---------------	---------

Not applicable for Turbo S or with
1C0 071 609 UA 9AX Front Valance

- Recommend paint to body or contrast color



1C0 071 641 DS ***	Rear Spoiler	Drop Ship	Hard Top (excl. 1.8T) 1.9 TDI 2.0L 2.5L	98 ▶
---------------------------	--------------	------------------	--	------

- *** Available pre-painted or primer
- Impact resistant, integral polyurethane foam spoiler increases vehicle's rear down force
 - Recommend paint to body color

Not to be installed on 1.8T with factory installed spoiler or New Beetle Convertible

Available in most factory colors.
 See Accessory Circular #**060-08-06UCF** for Dealer Drop Ship Program information.



Suggested Retail Labor Time: **100**

1C0 071 645K	Rear Spoiler Primer secured with glue	Hard Top (exc 1.8T) 1.9 TDI 2.0L 2.5L	98 ▶
---------------------	--	--	------

Single components

Description	Qty.	Part No.
Brake Light (for 1C0 071 645K)	1	1C0 071 787
Brake Light (for 1C0 071 641DS)	1	1C0 071 787A DSP – See P.O.C. Drop Ship Menu

Available in most factory colors.
 See Accessory Circular #**060-08-06UCF** for Dealer Drop Ship Program information.



Rear Valance Skirt

1C0 071 318 K or 1C0 071 318	Lower Valance Skirt rear	New Beetle Hard Top	98 ▶ 05
--	-----------------------------	---------------------	---------

not applicable for Turbo S
 or New Beetle Convertible

- Recommend paint to body or contrast color



Door Handle Protectors



Suggested Retail Labor Time: **60**

Part No.	Description	Application
1C0 071 062K	Door Handle Protectors set of 2, Black	New Beetle Hard Top 98 ▶

- Paint to body or contrast color
- Installs with adhesive

Door Sill Protection



Suggested Retail Labor Time: **60**

1C0 071 300	Door Sill Entry Protection	New Beetle Hard Top	98 ▶ 05
1C0 071 300A			06 ▶

Not applicable for New Beetle Convertible

- Recommend paint to body or contrast color

Roof Edge Spoiler



Suggested Retail Labor Time: **100**

Part No.	Description	Application
1C0 071 640K 9AX	Roof Edge Spoiler (available primer only)	New Beetle Hard Top 98 ▶ 1.9 TDI 2.0L 2.5L

Not to be installed on 1.8T with factory installed spoiler

- Paint to body color
- Adhesive not included. **NOTE: You must always use the appropriate surface preparation chemicals when installing this product. Always follow the manufacturers' surface preparation and application instructions.**

Fender Protection Cover



1C0 071 301 K	Fender Protection Cover "Stone Guards" set of 4	98 ▶ 05
----------------------	---	---------

Not applicable for Turbo S

- Recommend paint to body or contrast color

Exhaust Tips



Part No.	Description	Application	Engine
1C0 071 910 U	Exhaust Tips stainless steel	New Beetle turn-down exhaust only	98 ▶ All motors except TDI
		New Beetle	98 ▶ All motors except TDI
		NB Convertible turn-down exhaust only	98 ▶ All motors except TDI

- Stainless steel dual exhaust tips, corrosion resistant



ZVW 806 005	Exhaust Tips stainless steel	New Beetle	98 ▶ 01	1.9 TDI
-------------	---------------------------------	------------	---------	---------

- The dual exhaust tip aggressively peeks out from the New Beetle's rear bumper

Exhaust Muffler

Part No.	Description	Application
1C0 071 901U	Exhaust Muffler Close Out	New Beetle 98 ▶ 05 2.0L 1.8T 1.9 TDI

Not applicable for Turbo S

All silencers and connecting pipes are manufactured from high grade stainless steel together with aluminized high grade metals components. Internals are constructed from high grade "304" stainless steel. Silencing material is made from INOX high grade steel wool, reinforced with rockwool and heat resistant glass fiber sound reduction material. Components are spray coated with corrosion resistant finish. All silencers are fitted with high grade stainless steel chrome-nickel resonated tail pipe ends.



Stainless Steel Exhaust System

1C0 071 903U	Stainless Steel Exhaust System by Vibrant 2.38" tubing; 5 1/2" x 3" dual tips	New Beetle 98 ▶ 05 1.8T 2.0L Excluding Turbo S
--------------	---	---

- Highly polished

Our dynamic new exhaust system fits from the catalytic converter back. This highly polished, direct-fit sports exhaust system will help take the performance-look and -sound of your Volkswagen New Beetle to the next level. Made of highly polished T304 stainless steel, these exhaust systems feature high quality; mandrel bent tubing and TIG weld seams. The mufflers feature angle cut, double wall, twin three-inch polished double wall tips. In addition, Volkswagen's Limited Lifetime Replacement Warranty covers this exhaust system*.

* Consult the Volkswagen Limited Lifetime Replacement Warranty for details.

See Accessory Circular #007-08-05 UCF for details.



Roof Box Carrier Attachment



Part No.	Description	Application
000 071 200G UKR	Roof Box Carrier Attachment Size: 84" L x 34.4" W x 16.9" H Weight: 44lbs.	Fits All Carriers with T-slot profile

Constructed using high impact, UV resistant ABS plastic with ridged base channeling to make a durable yet very lightweight box. The eye-catching design and styling features a lowered front and rear, with the base and the spoiler on the lid designed to enhance aerodynamic properties.

The one-key locking system features a user-friendly, padded key and readable decal. The locking system has a built-in safety feature which means the key can only be removed when box is fully closed. Three lock down points on each side of box - one central lock for each side.

- 18 sq. feet of storage space, enough room for snowboards, skis (modern shorter shape-skis only), watersport equipment, luggage and camping gear
- Dual-side opening allows you to access gear from either side of your vehicle
- Struts help lift the lid open and shut with ease
- Aerodynamic shape reduces wind drag and noise
- Quick Grip hardware mounts to crossbars quickly and easily
- One Key System (locks included) with two matching locks and two oversized padded keys
- Finished in Metallic Silver or Metallic Black (687B)
- Limited Lifetime Warranty provided by the manufacturer (Thule)

Passat Index

Interior	Update	
Armrest Cup Holder		4
Cargo Net		12
Floor Mats		
Nylon		7
Rubber		8
Gorilla Gear Cargo Mat.....		11-12
Gorilla Grips		12
Net Partition		10
Rear Window Roller Blind.....		10
Styling Trim Kits		9
Trunk Organizer.....		12
Exterior		
Body Kits		
Front Spoiler		25
Side Skirt		25
Rear Valence.....		26
Cable & Lock Set.....		24
Car Cover.....		24
Chrome Rear Accent Strip.....		28
Comfort Blinker.....	09/15/07	30
Exhaust Tips		26
Front End Cover.....		23
License Plate Frame	See Car Care Section	
Lowering Springs		33
Lowering Spring Bolt Installation Kit.....		33
Park Distance Sensors		6
Side Marker Lights		6
Side Window Deflectors.....		29
Splash Guards		30
Spoiler (Rear)	07/01/07	27-28
Sunroof Air Deflector.....		29
Wheels	Update	
Alloy Wheels		31-32
Lockable Wheel Bolts		32
Valve Stem Caps	See Car Care Section	
Racks		
Bike Holder		
Fork Mount Holder	01/22/08	15
Rear Hatch Carrier.....		16
Single Bike Holder	01/22/08	14
Carrier Bars	07/01/07	13
Kayak Rack Attachment.....		21
Luggage Basket		18
Luggage Platform		17
Roof Box Carrier Attachment.....	01/22/08	34
Snowboard/Ski Attachment.....	01/22/08	19
Snowboard/Ski Attachment Deluxe		20
Soft Luggage Carrier		17
Surfboard Attachment.....	01/22/08	22
Electronics		
Cassette Holder		3
CD Magazine Cartridge		2
iPod Adapter		5
Remote 6 Disc CD Changer.....		2
Telephone Console		3-4

Remote 6-Disc CD Changer



Part No.	Description	Application
1J6 035 111 or 1J6 057 111	Remote 6-Disc CD Changer	Passat 98 ▶ 05

3B0 051 179 CD Magazine Cartridge CD Changer
6 disc

- While inserting, magazine must be kept level to prevent discs from sliding out
- Avoid inserting tray diagonally into slots
- Only one tray per slot



Cassette Holder

Close Out



Part No.	Description	Application
1J1 061 130 01C	Cassette Holder 4 cassette capacity	Passat 98 ▶ 05

Color code:
01C = Satin Black

Phone Console, Hands-Free Phone

Close Out



1J0 051 438 AH	Hands-Free Phone Installation Kit	Passat 98 ▶ 05
-----------------------	--------------------------------------	----------------

- Provides driver with added convenience and safety—hands-free operation of cellular phone
- Available for Nokia® 51XX, 61XX, 6220 and 7110 only

Hands Free Kit needed also for installation:

		Qty.
External Speaker	8D0 051 434 A	1
Speaker Harness	8D0 051 443	1
Phone Harness*	3B0 051 434	1
Optional Antenna	ZVW 372 001	1

* required for model year 02 ▶

Note: Does not work with Premium VI Radio

Phone Console

Close Out



Suggested Retail Labor Time: 50

Part No.	Description	Application
3B1 051 601D 01C	Telephone Console black	Passat 98 ▶ 05
3B1 051 601C U71	gray	

- Attaches to the right side of the center console of the dash
- The Console is a mount for mobile cell phone, PDA or other personal electronics
- Molded and textured plastic
- Does not include any interface device to connect to electronics

Armrest Cup Holder



ZVW 919 001	Cupholder	Passat Sedan Wagon	98 ▶ 01
-------------	-----------	--------------------------	---------

- Ultimate cup holder
- Unique two size design with slots for handles
- Fits firmly into armrest

iPod Adapter



Suggested Retail Labor Time: **150**

Part No.	Description	Application
1K0 051 444	iPod Adapter	Passat 98 ▶ 05

This iPod adapter is intended to be connected to VW Original Radio/Radio Navigation Systems with a CD changer control system, and uses the same wiring connector positions as a CD Changer, Aux Jack, or USB Connector. It will fit both older 1-DIN devices and new generation devices with a Quadlock connection.

Single input system.

If you fit this iPod Adapter to a standard VW Radio as a Dealer Installed Accessory, or as a Factory installed option, the CD Changer, Aux Jack, or USB connector will be non-functioning. It is not possible to connect and operate two audio devices.

Multi input system.

Vehicles with Radio Navigation System equipped with CD Changers, Aux Jack or USB Connectors are not impacted by the installation of this iPod adapter.

The integrated radio CD/DVD player is NOT affected by the addition of the 1K0 051 444 iPod adapter.

See Accessory Circular **#059-08-06** for answers to Frequently Asked Questions about the use and applications of the iPod Adapter.

Side Marker Light



Part No.	Description	Application
3B0 052 215 041	Side marker light Smoked lens	Passat
3B0 052 215 060	Clear lens	98 ▶ 05

- Set of 2
- Lens does not obstruct the indicator turn lights, but adds a subtle style

Rear Parking Distance Sensor



000 054 630 A	Rear ParkingPassat Distance Sensor kit complete	98 ▶ 05
----------------------	---	---------

- Electronic aid for reversing, installed in back bumper
- Indication of distance via acoustic warning
- Detects obstacles that can cause vehicle damage
- Intermittent beep signal increases in frequency to continuous sound as obstacle approaches
- To avoid fault operation, sensors must be clean of snow, ice or dirt
- High speed reversing will prevent obstacle detection in time
- May be painted or left as matte black

Nylon Floor Mats



Part No.	Description	Application	Color Codes
	Tufted Nylon Floor Mats Set of 4, front & rear embroidered logo		
ZVW 178 342 A***	PASSAT	Passat 04.5 ▶ 05 oval retention	BLK, GRY, BGE
ZVW 178 342 ***		Passat 98 ▶ 04 round retention	BLK, GRY, BGE

*** Color Code:

C, BL, BLK = Black

Q, GR, GRY = Gray

A, S, BG, BGE = Beige

Rubber Floor Mats

Part No.	Description	Application
	Floor Mats Deep Groove "Monster" Mats	
ZVW 379 005	Set of 4, black round retention clip	Passat 98 ▶ 04
ZVW 379 005 A	Set of 4, black oval retention clip	Passat 04.5 ▶

- High quality mats, made to take the abuse of an active life style
- Help protect vehicle carpet from snow, sand, mud , rain and slush
- Positive retention clip and a ribbed back help ensure mats stay in place



3B1 061 501B ***	Rubber Floor Mats, front, black oval retention clip	Passat 04.5 ▶ 05
3B1 061 501A ***	round retention clip	Passat 98 ▶ 04.5
3B1 061 501 ***	round/domed retention clip	98 ▶ 01
3B0 061 511B ***	Rubber Floor Mats, rear, black oval retention clip	04.5 ▶ 05
3B0 061 511A ***	round retention clip	98 ▶ 04.5
3B0 061 511 ***	round/domed retention clip	98 ▶ 01

- Available as set of two
- Designed to help protect the O.E. carpeting in all kinds of weather

Color Code:
041 Black



	Floor Mats - Molded Vinyl/Rubber	
ZVW 179 011	Set of 2, front, black	Volkswagen Sedans most models 93 ▶ 98
ZVW 179 012	rear, black	

- Long lasting and easy to clean heavy duty molded vinyl/rubber
- Unique construction to help protect carpet from soil and wear
- Locator post for positive retention in driver side
- VW logo molded into all mats
- Available in twin sets, front and rear and packaged on hangers for self-service display



Interior Styling Trim Kits



Aluminum Look Trim Kit



Rosewood Trim Kit

Part No.	Description	Application
ZVW 315 700 ALU	Brushed Aluminum Look Trim Kit 18 piece	Passat Sedan Wagon
ZVW 315 700 WOD	Rosewood Trim Kit 18 piece	

- Kits are custom crafted to provide that sporty touch, and blend with vehicle interior
- A clearcoat finish is added to achieve a highly polished look for lasting beauty
- 3M performance adhesive used
- Precision cut, one-piece design
- Backing has pull tab for ease of removal
- Flexibility designed into the piece through aerospace technology and materials
- Surface must be cleaned with special purpose cleaner then followed by an alcohol wipe and adhesion promoter to prepare surface for installation (included within kit)

Single Components



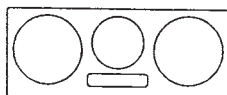
Left Vent



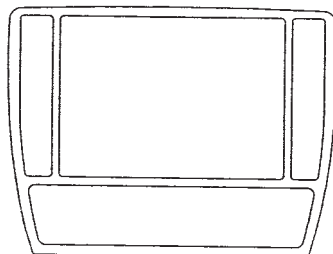
Center Vent



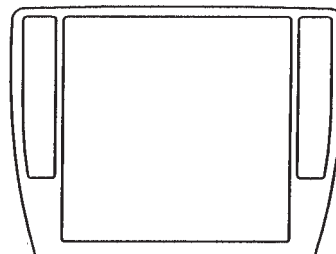
Right Vent



A/C Control



Radio Surround



Radio Surround

Sunshade



Part No.	Description	Application
3B9 064 160	Rear Sunshade	Passat Wagon 98 ▶ 05
3B5 064 360 A	kit complete	Passat Sedan 98 ▶ 01

Helps keep passengers in the backseat cool by raising the see-through mesh blind and attaching it to hooks mounted on the vehicle's rear window frame. When not in use, the black blind retracts into its own storage area located at the bottom of the window. Unit is spring-loaded.

Net Partition



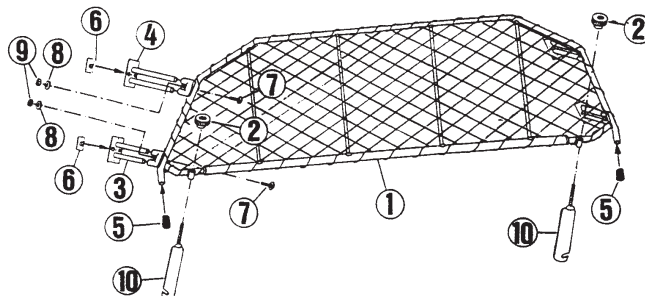
3B9 017 221	Net Partition	Passat Wagon 98 ▶ 01
3B9 017 221 B	(suitable for head/side airbag vehicles)	01.5 ▶ 05

- Plastic-coated tube frame with nylon net.
- Installs between top of seat and vehicle roof.

Single Components

Key

No.	Description	Qty.
1	Net partition	1
2	M8 tommy nut	2
3	Short support	2
4	Long support	2
5	Plastic plug	2
6	Protective base	8
7	M6x20 carriage bolt	4
8	M6 washer	4
9	M6 cap nut	4
10	Threaded hook	2



Cargo Mat



Part No.	Description	Application
ZVW 380 300A	Gorilla Gear Cargo Mat with Gorilla Grips™	Passat Sedan 98 ▶ 05

The molded carpet trunk liner has been designed as a color-matched custom fit for the rear cargo area. The trunk liner has been manufactured to help protect the OE carpeting from mud, dirt, snow or water, and the hobnail construction adds durability. A moisture resistant barrier and molded outer edge "catches" unwanted elements from penetrating the vehicle's carpet. And, best of all, the tray is simple to clean—just hose it off.

Note: not for 4Motion application



Cargo Mats

Part No.	Description	Application
ZVW 380 302	Heavy duty Gorilla-Gear Cargo Mat	Passat Wagon 01.5 ▶ 05 4Motion, 2wd
ZVW 380 302A	Gorilla Gear Cargo Mat with Gorilla Grips™	

- Designed to fit the Passat wagon trunk with set of Gorilla-Grips
- Easy to install and remove
- Vacuum or hose off
- Heavy duty rubber mat with polypropylene loop
- Stain resistant
- Mats come standard with a set of Gorilla-Grips



ZVW 380 301	Gorilla-Grips™ set of 4	All
--------------------	----------------------------	-----

- Works with Gorilla-Gear Cargo Mat
- Strong Velcro® backers to fasten to the looped polywear surface
- Perfect for grouping, dividing and protecting goods and cargo



8A9 065 110	Cargo Net	Passat Wagon 01.5 ▶ 05
--------------------	-----------	------------------------

- Nylon elastic cargo net
- Utilizes lockdown clamps in vehicle trunk
- Elasticized cargo net securely holds bulky items in place



ZVW 386 001	Trunk Organizer	All
--------------------	-----------------	-----

- Spring loaded set-up
- Durable ABS plastic, anti-bacterial materials
- Restraining straps and d-rings prevent sliding
- Integrated partitions organize cargo
- Molded grab handles ensure easy handling
- Folds flat for convenient storage
- Dimensions
 Closed: 14.5" x 25" x 2"
 Opened: 14.5" x 25" x 7"
 Cubic feet = 1.3'



Roof Carrier System Carrier Bars



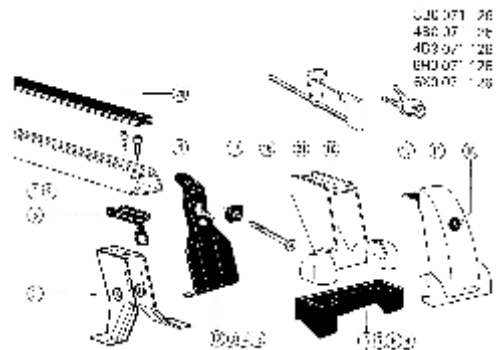
Part No.	Description	Application
	Carrier Bars-basic, set of 2 crossbars lockable, complete with mounting hardware and instructions	
3B0 071 126 3B0 071 126A		Passat Sedan 98 ▶ 01 01.5 ▶ 05
1J9 071 151 041		Wagon w/side rails 01.5 ▶ 05

- 2 plastic coated, aerodynamic aluminum cross bars, attach directly to the roof rails
- Cylinder locks are built into the covered end caps
- Position-adjustable front to rear over entire extent of roof rails

The Maximum Permissible roof load is 165 lbs/75 kg., evenly distributed. **Consult your Owner's Manual for weight specifications.**

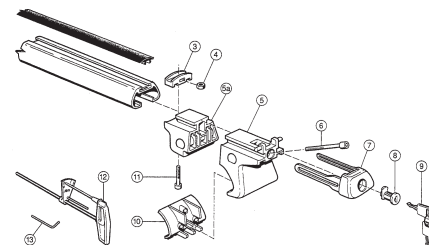
Single Components (Sedan):

Abdeckkappen Pos. 11	3B0 071 738	4
Schloßsatz	3B0 071 734	4
Drehm.-SchlüsselSW 6.	3B0 071 712	1
Verschr.-SatzPos. 16,17	3B0 071 737	je2x
Lasche f. Abdeckkappe	3B0 071 701	4
Auflagesatz-vorne	3B0 071 713	
Pos. 6, Pos. 8		je1x
Auflagesatz-hinten.	3B0 071 713 A	
Pos. 7, Pos. 9		je1x
Spoiler-Set, silber	000 071 715 666	3
Kunststoff-Profilleiste.	000 071 740	1



Single Components (Wagon):

No.	Description	Qty.	Part No.
8-9	Lock Set	4	7M0 071 734
5	Clamping Piece - outer	1	7M0 071 736
5A-6	Clamping Piece - inner w/bolt	1	7M0 071 735
7	Cover Cap	8	7M0 071 719
	Tensioning Bolt	4	7M0 071 739
10	Base Set	2 ea	7M0 071 747
3, 4, 11	Clamp Kit.	2 ea	7M0 071 737A
11	Bolt	1 ea	
12, 13	Wrench	1 ea	



Bike Carrier System



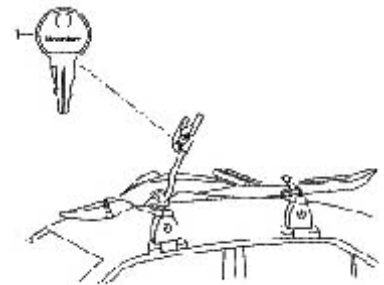
Part No.	Description	Application
6Q0 071 128 A	Bicycle Holder Attachment for 1 bicycle. Complete with mounting hardware and instructions	Fits All with "T Slot" Basic Carrier Bars

Bike Holder dimensions: 1580 x 180 x 290 mm / weight: 4.6 kg

- For transport of Touring, Mountain and Racing Bikes in an upright position.
- Built-in lock and rugged design prevents damage to valuable bicycles.
- Up to three (3) bicycles can be mounted using a staggered formation.
- **NOTE:** Some of the largest downhill race tire sizes may not fit.
- Maximum frame width=80mm, maximum tire width=56mm, maximum frame height=90mm

Part No.	Description	Application
000 092 795 AA	Code Keys	Fits All MontBlanc
000 092 795 AB	1 Set of Code Keys	Code 21
000 092 795 AC	1 Set of Code Keys	Code 23
000 092 795 AD	1 Set of Code Keys	Code 25
000 092 795 AE	1 Set of Code Keys	Code 27
		Code 29

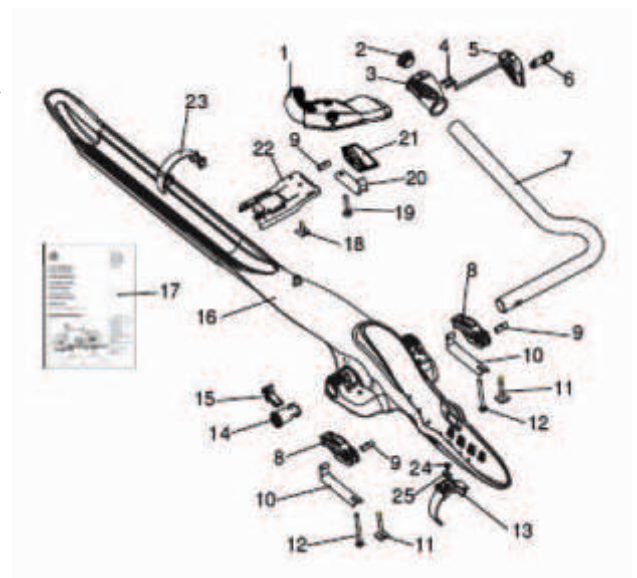
- Original replacement keys for Montblanc roof carrier and attachment parts



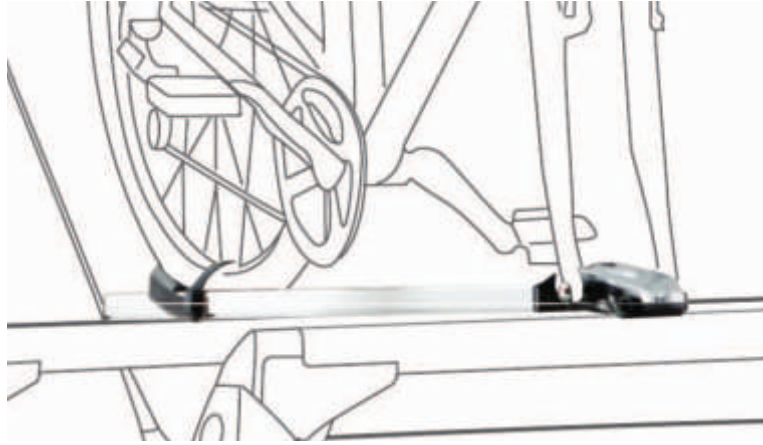
Single components Bicycle Holder 6Q0 071 128 A

Key#	Description	Qty.	Key#	Description	Qty.
1Frame holder.....	1	14Securing sleeve	1
2Cap	1	15Locking device	1
3Tube clamp.....	1	16Wheel mount.....	1
4Screws (for plastic)	2	17Fitting instructions	1
5Lever for frame holder.....	1	18T-screw, short	1
6Lock	1	19Screw, short.....	1
7Securing tube.....	1	20Securing bracket, rear	1
8Front lever	2	21Rear lever	1
9Pin	3	22Rear securing plate	1
10Securing bracket, front.....	2	23*Rear wheel holder.....	1
11T-screw, long.....	2	24Screw.....	1
12Screw, long	2	25Nut	1
13*Front wheel holder	1			

*Spare parts can be ordered under part # **6Q0 071 740**



Bike Carrier System

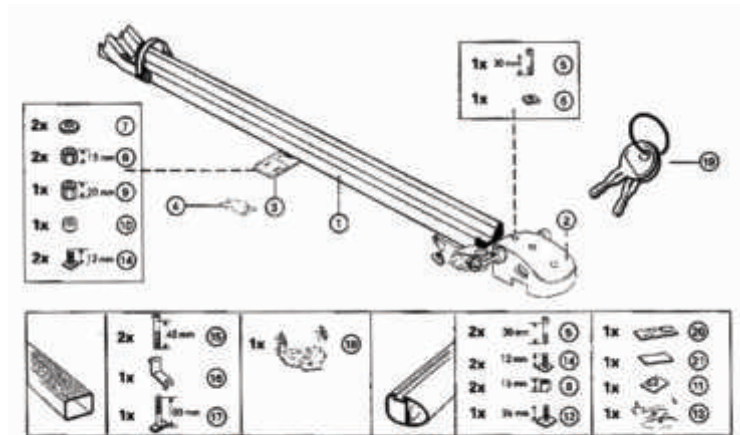


Part No.	Description	Application
7M0 071 128 C	Accepts bikes with disc brakes Bicycle holder for fork attachment Bike Holder dimensions: 1320 x 85 x 130 mm / weight: 2.8 kg Fits up to 3 racks (2 forward, 1 rear facing)	Fits All with Basic Carrier Bars

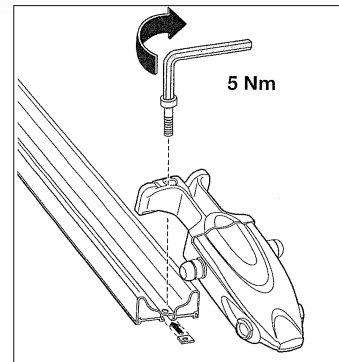
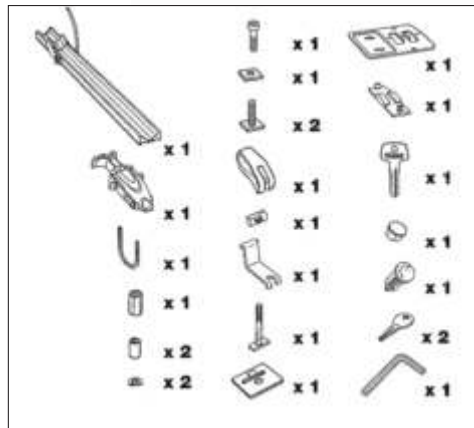
NOTE: The holding strap may not fit some of the largest downhill race tire sizes.

Single Components:

Description	Qty.	Part No.
Lock	1	1F0 071 267A
Loslager, Unterlegplatte	1ea.	1F0 071 737D
Spannband aus Radhalt.	1	1F0 071 740
Endkappen	2	1F0 071 745
Radhalterung	1	1F0 071 746



7M0 071 128 B Shown



7M0 071 128 C
("C" version front fork mount)

Bike Carrier System – Rear Hatch



Part No.	Description	Application
3B9 071 104 A	Rear Hatch Bike Carrier 2 bikes	Passat Wagon 01.5 ▶ 05

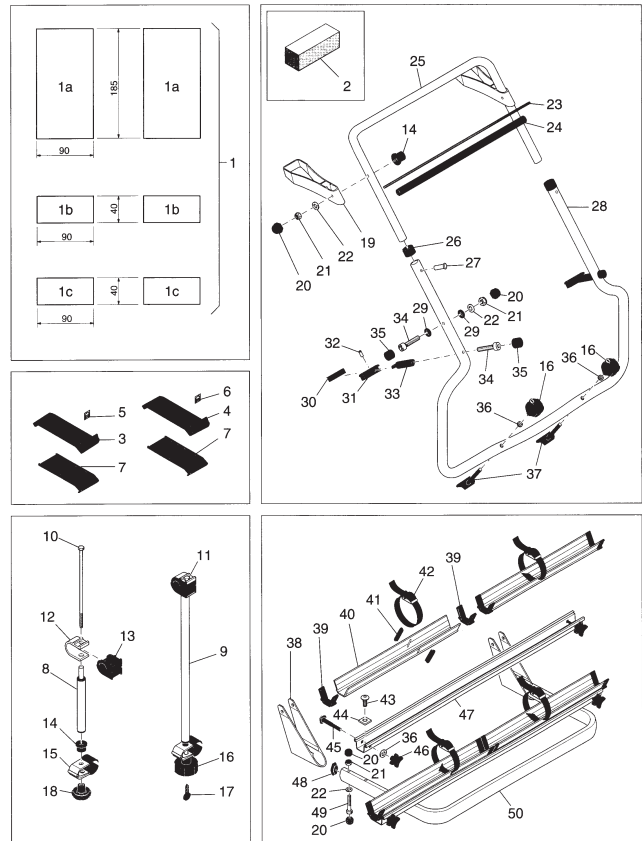
- Anodized aluminum sections for quick and secure fastening to the tailgate and with additional support on the bumper
- Completely preassembled for transportation of 2 bikes

Note: Not applicable for vehicles with top spoiler

Single components:

Key

No.	Description	Qty.	Part No.
.....	Tommy Nut	1	1H0 071 734
42	Tension Strap	2	1H0 071 740
.....	Tommy Nut M8	1	1J0 071 735
36 45 46	Wheel Rail Screw	2 ea	3B9 071 737



Luggage Platform



Part No.	Description	Application
00H 071 130	Luggage Platform complete with mounting hardware and instructions	Fits All with Basic Carrier Bars

Basket dimensions: 1140 x 120 x 950 mm / weight: 10.0 kg

- Provides shallow tray
- Pre-assembled
- Aluminum construction

Soft Luggage Carrier



ZVW 193 800	Soft Luggage Carrier and Luggage Basket 191 071 130 F or Luggage Platform 00H 071 130	All
--------------------	---	-----

- Heavy duty
- Weather proof
- Black polyester construction
- Accommodates 7.7 cubic feet of cargo
- 6 tie-down straps with quick release buckles
- Covered zipper

Classic Luggage Basket



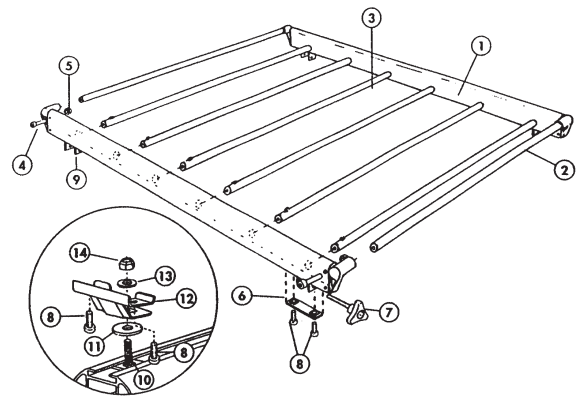
Part No.	Description	Application
191 071 130 F	Classic Luggage Basket complete with mounting hardware and instructions	Fits All with Basic Carrier Bars

- Galvanized steel, black plastic coated
- Transverse end tubular bars, front and rear, are adjustable:
 Closed: up position forms a luggage basket
 Open: down position forms a loading platform

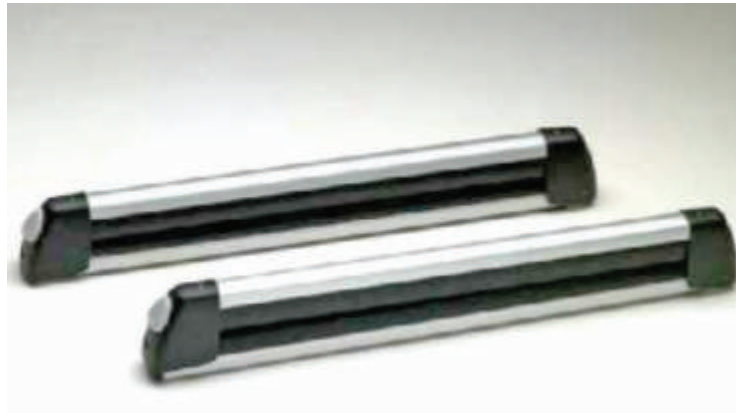
Luggage Basket dimensions: 1120 x 70 x 200 mm / weight: 6.8 kg

Single components - Luggage Basket 191 071 130 F

Key No.	Description	Qty.	
1	Side Section	2	
2	Retaining bar	1	191 071 736 B
3	Supporting bar	1	191 071 736 E
7	Capstan head screw	4	191 071 739
	Mounting Kit		191 071 736 D
4	Self tapping screws	12	
5	Plastic washer	12	
6	Hex head bolt	8	
10	Threaded shackle	4	
11	Hex head nut	4	
12	T-shaped keyway insert	4	
13	Shackle	4	
14	U-shaped shackle	4	
	Set of Screw Connectors		191 071 743 C
	6 Hex head bolt	8	
	9 Hex head nut	4	
	8 Slotted bolt	4	



Snowboard/Ski Attachment



Part No.	Description	Application
3B0 071 129 UA	Snowboard/Ski attachment – lockable complete with mounting hardware	Fits All with Basic flat Carrier Bars

- Carries four pairs of skis or two snowboards
- Perfect blend of styling, quality and rugged design
- Installs quickly on base carrier and features an oversized push button locking hood that allows for easy opening and closing with gloves on
- Wide semi-rigid rubber profile design provides a snug secure fit for snowboard or skis

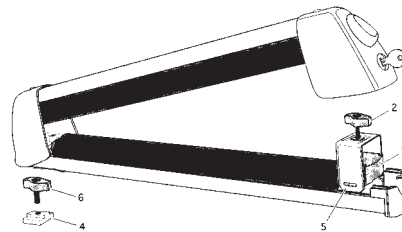
Ski Rack dimensions: 790 x 130 x 130 mm / weight: 3.6 kg

Single components – Snowboard/Ski attachment **3B0 071 129 UA**

Key

No.	Description	Qty.
1	Ski/Snowboard carrier	2
2	Wing bolt, M6x35	4
3	Spacer block	4
4	Keyway, M6	4
5	Retaining clip	4
6	Wing knob, M6x20	2
7	Key	2

Attachment Kit
3B0 071 737A



Snowboard/Ski Attachment – Deluxe



Part No.	Description	Application
1T0 071 129	Deluxe Snowboard/Ski attachment – lockable complete with mounting hardware	Fits All with Basic Carrier Bars

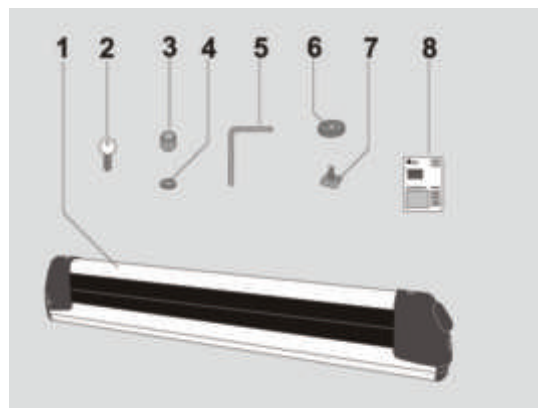
- For maximum of 6 pairs of skis or 4 snowboards
- Easy to load and unload with a practical pull-out action
- Lockable
- Made from anodized aluminum section

Ski Rack dimensions: 835 x 130 x 130 mm / weight: 4.8 kg

Single components – Snowboard/Ski attachment **1T0 071 129**

Key

No.	Description	Qty.
1	Ski/Snowboard holder	2
2	Key	2
3	Allen nut M6	4
4	Spring washer	4
5	Allen key SW5	1
6	Plastic washer	4
7	T-bolt M6x16	4
8	Fitting instructions	1



Kayak Holder



Part No.	Description	Application
1K0 071 127	Kayak Rack Attachment	Fits All with Basic Carrier Bars



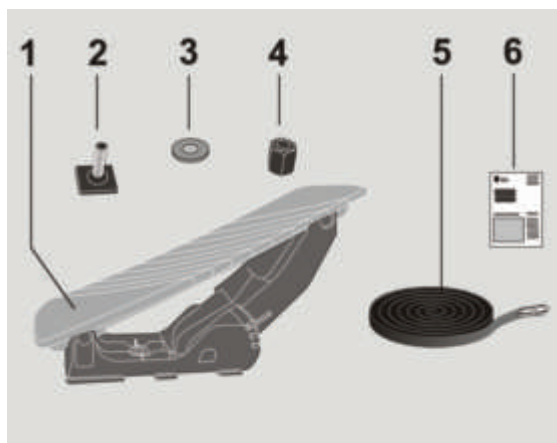
- 4 rubber coated holders which adapt to the shape of the kayak
- Tie straps included
- Holds one kayak

Rack dimensions: 480 x 190 x 120 mm / weight: 1.75 kg
 Load maximum: 55 lb/25 kg. Consult your Owner's Manual for weight specifications and important safety information.
 Maximum kayak length: 8 ft. 2 in./2.4 m

Single components – Kayak attachment – **1K0 071 127**

Key

Item	Description	Qty
1	Kayak holder	4
2	Slide block M6 x 22	4
3	Washer M6	4
4	Hex nut M6	4
	15mm high	
5	Tensioning strap	2
	approx. 4.000 mm	
6	Fitting instructions	1



Surfboard Holder



Part No.	Description	Application
----------	-------------	-------------

445 071 127	Surfboard Holder Attachment Close Out	Fits All with Basic Carrier Bars
--------------------	---	----------------------------------

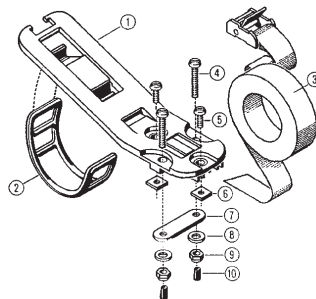
- 4 plastic holders which adapt to the shape of the surfboard
- For transporting of 1 or 2 surfboards with masts

Holder dimensions: 310 x 100 x 140 mm / weight: 1.84 kg

Single components – Surfboard attachment – **445 071 127**

Key

No.	Description	Part No.
2	Tensioning Rubber	445 071 737B
4	Hardware Kit	445 071 737C



Replaced by 000 071 120H

000 071 120H	Surfboard Holder Attachment	Fits All Carriers with T-slot profile
---------------------	-----------------------------	---------------------------------------

The surfboard holder transports your surfboard safely to the destination. The surfboard and two masts are held in place by robust fastening fixtures. The rubber-coated surfboard supports and special rubber protection for metal clips on the retaining straps ensure the highest possible protection for your surfboard during transportation.

- Surfboard nose must point downwards in the direction of travel
 - Suitable for 1 surfboard and 2 masts only
- Includes:
- 2 Surfboard supports
 - 2 Retaining straps (275 cm each)
 - 2 Rubber caps
 - 4 Mast holders with retaining straps



Front End Cover



Part No.	Description	Application
	Front End Cover 2 piece set complete	
ZVW 193 021		Passat 98 ▶ 05
ZVW 193 115		Passat 01.5 ▶ 05
ZVW 193 116		Passat V8 02 ▶ 05

Not applicable for vehicles with front valance or headlight washer system.

Designed for the protection of those finished front end surfaces most susceptible to damage from flying road debris. For user convenience, engine compartment opens without detachment of cover. Constructed for fitting to the vehicle with combinations of padded hi-flex metal tabs, coated hooks and elastics especially suitable for DIY installation, without drilling. Outline is provided for access opening front license plate. Vehicle logo-type embroidered in silver thread.

Made from premium grade materials to ensure optimum useful service life:

- High gloss vinyl of 14 oz./sq. yd. weight, UV and mildew resistant, with backing of 8 oz./sq. yd. polyester foss
- High tensile strength polyester binding used on all seams and edges
- All fasteners (tabs, hooks, elastics) enveloped and surface protected with non-corrosive covered/sheathing

! **Note:** Requires regular maintenance. Read installation and care instructions carefully.

See Accessory Circular #**022-08-06 UCF** for additional information

Car Cover



Part No.	Description	Application
ZVW 400 101	Car Cover – “Stormshield” grey, with silk screened logo complete with storage bag	Passat Sedan 98 ▶ 05
ZVW 400 102	Car Cover - “Stormshield” grey, with silk screened logo complete with storage bag	Wagon 01.5 ▶ 05

- High degree of moisture repellence and breathability
- Long life ultraviolet (UV) resistance
- Resistance to dust, acid rain, tree sap and other airborne particulate matter
- Light weight for easy installation and removal
- Custom mirror pockets
- Plastipane rear license plate window
- Double stitch seams for strength and long life
- Elasticized hems for fit and stability and tie-down grommets

Important Notes

Do not use a cover on a vehicle which has been repainted within the last 6 months.

If your vehicle has delicate paint, such as lacquer, exercise caution. Some repainted vehicles are not painted properly and may blister.

If there is excessive wind and your cover is flapping against your vehicle, remove the cover.

Do not cover a vehicle while it is being towed.

If a haze appears on your windows after covering your vehicle, it is caused by airborne pollution. Wash your cover.

Troubleshooting

The main problems people encounter with their cover is residual thread or lint left on the vehicle after covering it.

This is just excess material left over from the manufacturing process, and will stop after the first two weeks of use.

See Accessory Circular #027-08-06 UCF for additional information

ZVW 400 110 Cover Cable and Lock set

The nonscratching plastic coated cable slides through the special sewn-in grommets, and the lock keeps the cover secured to the vehicle.



Body Kits



Part No.	Description	Application
----------	-------------	-------------

3B0 071 609 UC 9AX	Front Spoiler kit complete	Passat
3B0 071 609	1 piece	01.5 ▶ 05 98 ▶ 01

- Installation and painting instructions included
- Painting of spoiler to body color required

Single Components: replacement grilles

Without foglights

Qty	Description	Part No.
1Left Grille	3B0 071 612 BL 041
1Right Grille	3B0 071 612 BR 041
1Center Grille	3B0 071 612 M 041

With foglights

1Left Grille	3B0 071 612 CL 041
1Right Grille	3B0 071 612 CR 041
1Center Grille	3B0 071 612 M 041



3B0 071 685 B 9AX	Side Skirts kit complete	Passat
	2 pieces	01.5 ▶ 05

- Installation and painting instructions included
- Painting of side skirts to body color required

Body Kits



Part No.	Description	Application
3B0 071 610 B 9AX	Lower Rear Valence kit complete	Passat Sedan 01.5 ▶ 05
3B0 071 611 9AX	Diffuser*	Passat 1.8T only 01.5 ▶ 05
3B0 071 611 B 9AX		VW8 02 ▶ 05

- Installation and painting instructions included
- Painting to body color required

Note: Diffuser has to be ordered separately

*Requires exhaust tips **3B0 071 910**

- Installation and painting instructions included
- Painting to body color required
- For vehicles without visible exhaust
- Channels and improves air flow under chassis

Exhaust Tips

ZVW 806 002	Exhaust Tips stainless steel Not available for 4Motion	Passat 1.8T, V6	01.5 ▶ 05
--------------------	---	-----------------	-----------

- Turn down exhaust only
- Stainless steel dual exhaust tips aggressively jut out from under bumper



Rear Spoiler



Part No.	Description	Application
3B0 071 645 BK 9AX	Rear Deck Lid Spoiler with third brake light kit complete	Passat Sedan 01.5 ▶ 05

- Impact resistant, integral polyurethane foam spoiler increases vehicle's rear down force
- Recommend paint to body color

Single Components:

000 071 787 Replacement Brake Light

NOTE: The adhesive needed to complete the assembly of these components is not included in the kit. Contact your local body shop supply firm to obtain the proper adhesive such as "DOW Betaseal 17042 Advanced Cure Urethane" or equivalent.



3B0 071 645 A 9AX	Rear Deck Lid Spoiler	Passat Sedan 98 ▶ 01
--------------------------	-----------------------	----------------------

- Impact resistant, integral polyurethane foam spoiler increases vehicle's rear down force
- Recommend paint to body color

NOTE: The adhesive needed to complete the assembly of these components is not included in the kit. Contact your local body shop supply firm to obtain the proper adhesive such as "DOW Betaseal 17042 Advanced Cure Urethane" or equivalent.

Single Components:

000 071 787 Replacement Brake Light



Rear Spoiler



Part No.	Description	Application
3B9 071 640 9AX	Rear Spoiler roof edge kit complete	Wagon 01.5 ► 05

- Quick and easily fitted by bonding the spoiler to the tail gate
- Spoiler is primed
- Recommend painting in the color of the vehicle
- Material is PU rigid integral foam

Chrome Rear Accent Strip



3B5 071 360	Chrome rear accent strip	Passat Sedan 98 ► 05
3B9 071 360		Wagon 01.5 ► 05

Add a distinctive touch to the look of your vehicle with a rear chrome look accent

- These chrome look accents offer a scratch and impact resistant surface
- High gloss with strong three-dimensional appearance
- Self-adhesive, easy installation
- One (1) set, consists of one (1) rear chrome look accent, fitting instructions, and cleaning cloth

Air Deflector



Part No.	Description	Application
3B0 072 192	Air Deflector - Sunroof kit complete with mounting hardware, gasket and instructions	Passat 98 ▶ 05

- One-piece molded tinted acrylic Plexiglas
- Rubber mounting gasket pre-installed
- One bracket per side clamps into the sunroof opening - installation without drilling

Single Components:

ZVW 174 506	Mounting Hardware Kit 2 brackets – 35mm 2 screws and nuts instructions
--------------------	---

Side Window Deflectors



ZVW 452 301	Deflectors for side windows	Passat	98 ▶ 05
--------------------	-----------------------------	--------	---------

- Deflectors are made of molded tinted acrylic plexiglas
- Install without tools: beveled edges fit into window channel opening

Check State and local regulations concerning the use of side window deflectors.

Splash Guards



Part No.	Description	Application
	Splash Guards set of 2 complete with mounting hardware and installation instructions	
ZVW 166 307	front Close Out	Passat 98 ▶ 01
ZVW 166 308	rear Close Out	
3B0 075 111B	front	01.5 ▶ 05
3B0 075 101B	rear	

Single Components:

000 075 123	}	3B0 075 111B
000 075 125		
000 075 133		
3B0 075 130 041		

Komfort Blinker

000 998 229 A	Komfort Blinker Kit Includes wire harness and connectors	Passat	98 ▶ 05
----------------------	---	--------	---------

- A short one time tip of the Blinker lever causes three flashes of the turn signal lights.
- Helps ensure that signaling a lane change or turn is evident without having to hold down the lever



000 998 229	Komfort Blinker Universal Mounting Kit Includes wire harness, tie wrap and connectors	Passat	98 ▶ 05
--------------------	---	--------	---------

- Connector terminal tools are required.
- See Accessory Circular "Komfort Blinker" # **028-08-07 UCF** for further details



Alloy Wheels

A note about our wheel and summer performance tire assemblies: Our high performance wheel and tire assemblies as well as some of the tires required for our larger diameter accessory alloy wheels are designed for optimum performance and handling in warm climates. They are not suitable for cold, snowy, or icy weather conditions. If the car is driven under those circumstances, the vehicle should be equipped with all-season or winter tires which offer better traction under those conditions. We suggest you use the recommended winter or all season tire specified for the vehicle or its equivalent. These high-performance tires also have a lower aspect ratio that aids performance and handling; however, in order to avoid tire, rim, or vehicle damage, it is important that the inflation pressure is regularly checked and maintained at recommended levels. Please also remember in making your selection that, while these tires deliver responsive handling, they may ride less comfortably and make more noise than other choices. Finally, these tires may wear more quickly than other choices. For further information on all these topics, please consult the vehicles owner's manual or call your facing Parts Distribution Center.

Part No.	Description	Application
----------	-------------	-------------

3B5 071 498 666	10-spoke light alloy wheel 8Jx18 ET37 brilliant silver metallic	Passat W8 02 ▶ 05 1.8T 2.6L 235/35 R18-91
------------------------	--	--

- Attractively designed rim
- The alloy wheel is supplied 1 per box complete with VW Hub Cap
- Uses standard wheel bolts and rubber valve

Single Component

1C0 071 213	Center Hub Cap – VW
--------------------	---------------------



BBS VZ

3B9 071 493 A 666	10-spoke light alloy wheel 7Jx17 ET 37 brilliant silver metallic	Passat 01.5 ▶ 05 225/45 R17-91
--------------------------	---	-----------------------------------

- Attractively designed rim
- The alloy wheel is supplied 1 per box complete with VW Hub Cap
- Uses standard wheel bolts and rubber valve

Single Components

1C0 071 214	Center Hub Cap – VW
--------------------	---------------------



Capezio

3B9 071 499 A 666	7Jx16 ET 37 light alloy wheel 7Jx16 ET 37 brilliant silver metallic	Passat 01.5 ▶ 05 205/55 R16
--------------------------	--	--------------------------------

- Attractively designed rim
- The alloy wheel is supplied 1 per box complete with VW Hub Cap
- Uses standard wheel bolts and rubber valve

Single Components

1C0 071 214	Center Hub Cap – VW
--------------------	---------------------



Duett

Alloy Wheels

Part No.	Description	Application		
3B0 071 492 A 666	7-spoke light alloy wheel 7Jx17 ET 37 brilliant silver metallic	Passat	01.5 ▶ 05	225/45 R17-90
<ul style="list-style-type: none"> • Attractively designed rim • The alloy wheel is supplied 1 per box complete with VW Hub Cap • Uses standard wheel bolts and rubber valve 				
Single Components				
1C0 071 214	Center Hub Cap – VW			



Largo

3B0 071 492 666	7-spoke light alloy wheel 7Jx17 ET 45 brilliant silver metallic	Passat	98 ▶ 01	225/45 R17-90
<ul style="list-style-type: none"> • Attractively designed rim • The alloy wheel is supplied 1 per box complete with VW Hub Cap • Uses standard wheel bolts and rubber valve 				
Single Components				
1C0 071 214	Center Hub Cap – VW			



Largo

Legend: 6.5 J x 16

- 16 = diameter in inches
- J = flange version
- 6.5 = rim width in inches

Lockable Wheel Bolts

000 071 597	Lockable Wheel Bolts set of 4, 2-Piece complete with matched key	Passat 98 ▶ 05	
<p>Weight, shape and length correspond to the standard wheel bolts. Standard wheel bolts can still be used on all wheels. Not for use in conjunction with standard two-piece wheel bolts with loose spherical collar.</p>			



Sport Springs



Part No.	Description	Application	Engine	Transmission	
3B0 071 676 A	Sport Suspension Spring kit complete	Passat Sedan	01.5 ▶ 05	4 Cyl 1.8T 1.9TDI	Auto, Manual Auto, Manual
3B0 071 677 A			01.5 ▶ 05	6 Cyl 2.8L	Auto, Manual
3B0 071 679			98 ▶ 01	6 Cyl 2.8L	Auto, Manual
3B9 071 676 A	Not for vehicles equipped with factory lowered sport suspension	Passat Wagon	01.5 ▶ 05	4 Cyl 1.8T 1.9TDI	Auto, Manual Auto, Manual
3B9 071 677 A			01.5 ▶ 05	6 Cyl 2.8L	Auto, Manual

- Lowers the standard center of gravity of the vehicle without sacrificing comfort
- High dynamic load capacity
- Sporty look
- High quality corrosion protection

Consult Accessories Circular **#053-08-06-UCF** for additional information

All-in-One Bolt Installation Kit



ZVW 269 007	All-in-One Bolt Installation Kit	Passat with standard suspension only	98 ▶ 05
--------------------	----------------------------------	--------------------------------------	---------

When installing Sport Spring Packages, some suspension fasteners are "Single Use". This means that once removed from the vehicle they must be replaced with a new VW OEM fastener.

Roof Box Carrier Attachment



Part No.	Description	Application
000 071 200G UKR	Roof Box Carrier Attachment Size: 84" L x 34.4" W x 16.9" H Weight: 44lbs.	Fits All Carriers with T-slot profile

Constructed using high impact, UV resistant ABS plastic with ridged base channeling to make a durable yet very lightweight box. The eye-catching design and styling features a lowered front and rear, with the base and the spoiler on the lid designed to enhance aerodynamic properties.

The one-key locking system features a user-friendly, padded key and readable decal. The locking system has a built-in safety feature which means the key can only be removed when box is fully closed. Three lock down points on each side of box - one central lock for each side.

- 18 sq. feet of storage space, enough room for snowboards, skis (modern shorter shape-skis only), watersport equipment, luggage and camping gear
- Dual-side opening allows you to access gear from either side of your vehicle
- Struts help lift the lid open and shut with ease
- Aerodynamic shape reduces wind drag and noise
- Quick Grip hardware mounts to crossbars quickly and easily
- One Key System (locks included) with two matching locks and two oversized padded keys
- Finished in Metallic Silver or Metallic Black (687B)
- Limited Lifetime Warranty provided by the manufacturer (Thule)

Touareg Index

Interior	Update	
Cargo Liner		8
Cargo Net, Floor		8
Cargo Nets, Side		9
Cargo Partition		9
Cargo Partition Divider		10
Dash Storage Bin		4
Door Sill Protection		5
Floor Mats		
Monster Mats	01/22/08	6
Original Equipment Mats		6
European Style Mats	09/15/07	6
Glove Box Shelf Kit		4
Gorilla Gear Trunk Liner		7
Gorilla Grips		7
Pedal Caps		5
Trunk Organizer		10
Exterior		
Car Cover		13
Cover Cable and Lock Set		13
Chrome Rear Accent		29
Exhaust Tips	01/22/08	30
Fender Flares	01/22/08	28
Front End Cover		12
Hood Bug Deflector		24
Mirror Caps		28
Roof Edge Spoiler		29
Side Step Bars	09/15/07	31
Skid Plates, front/rear	01/22/08	27
Specialized Tail Lamps	01/22/08	11
Splash Guards	01/22/08	23
Splash Guard Extensions	01/22/08	23
Stainless Steel Grill Strips		24
Sun Roof Air Deflector		26
Trailer Hitch	01/22/08	32

Wheels	Update	
Alloy Wheels	01/22/08	25, 26, 34
Lockable Wheel Bolts		26
Racks		
Carrier Bars	01/22/08	14
Carrier Bar Adapters		
for vertical roof bars	01/22/08	21
Fork Mount Bike Holder-Roof	01/22/08	16
Fork Mount Bike Holder-Interior	Cancelled 07/01/07	17
Kayak Rack Attachment		22
Luggage Basket Attachment	09/15/07	33
Luggage Platform Attachment	09/15/07	17
Roof Box Carrier Attachment	01/22/08	37
Single Bike Holder Attachment	01/22/08	35
Snowboard/Ski Attachment	01/22/08	20
Snowboard/Ski Attachment Deluxe Sliding		21
Soft Luggage Carrier	09/15/07	19
Surfboard Holder Attachment	01/22/08	36
Trailer Hitch Mounted Bike Rack	01/22/08	18
Trailer Hitch Mounted Ski Rack		19

Electronics	
Auxiliary Jack Adapter	2
Car Kit Interface Harness	3
CD Changer Bracket Kit	2
CD Magazine Cartridge	2
iPod Adapter	09/15/07 3
Remote 6 Disc CD Changer	2

Remote 6-Disc CD Changer

Suggested Retail Labor Time: 100



Part No.	Description	Application
1J6 035 111 or 1J6 057 111	Remote 6-Disc CD Changer kit complete Standard with vehicles equipped with Navigation PPS/PNV/PKD) USA only Does not support MP3	Touareg 04 ▶

7L0 051 324A	CD Changer Installation Bracket Kit for vehicles not equipped with navigation (non premium Audio/NAV)	Touareg 04 ▶
---------------------	--	--------------



3B0 051 179	CD Magazine Cartridge 6-Disc	Touareg 04 ▶
--------------------	---------------------------------	--------------

- While inserting, magazine must be kept level to prevent discs from sliding out
- Avoid inserting tray diagonally into slots
- Only one tray per slot



Auxiliary Jack Adapter

000 051 444M	Auxiliary Jack Adapter for vehicles with Navigation only if not already equipped from Factory in armrest	Touareg 04 ▶
---------------------	---	--------------



iPod Adapter



Suggested Retail Labor Time: 150

Part No.	Description	Application
1K0 051 444	iPod Adapter	Touareg 04 ► 07 08*

*Vehicles with navigation only.

This iPod adapter is intended to be connected to VW Original Radio/Radio Navigation Systems with a CD changer control system, and uses the same wiring connector positions as a CD Changer, Aux Jack, or USB Connector. It will fit both older 1-DIN devices and new generation devices with a Quadlock connection.

Single input system.

If you fit this iPod Adapter to a standard VW Radio as a Dealer Installed Accessory, or as a Factory installed option, the CD Changer, Aux Jack, or USB connector will be non-functioning. It is not possible to connect and operate two audio devices.

Multi input system.

Vehicles with Radio Navigation System equipped with CD Changers, Aux Jack or USB Connectors are not impacted by the installation of this iPod adapter.

The integrated radio CD/DVD player is NOT affected by the addition of the 1K0 051 444 iPod adapter.

See Accessory Circular #059-08-06 for answers to Frequently Asked Questions about the use and applications of the iPod Adapter.

Car Kit Interface Harness

3B0 051 434	Car Kit Interface Harness	Touareg	04 ►
-------------	---------------------------	---------	------

- For use when integrating cell phone equipment to radio

Glove Box Shelf Kit



Suggested Retail Labor Time: **150**

Part No.	Description	Application
7L6 858 407	Glove Box Shelf Kit	Touareg V6 Only 04 ▶

- Installs without tools
- Snaps into position
- Includes retaining straps

Dash Storage Bin



7L6 857 919 3X1	Dash Storage Bin with pop up cover	Touareg 04 ▶
------------------------	------------------------------------	--------------

- Replaces open storage bin

Pedal Caps



Part No.	Description	Application
3D1 723 173A 7L6 721 647A	Pedal Caps Automatic Transmission Brake Accelerator	Touareg V6 Only

04 ►

- Replacement cap clips over accelerator
- OE brake pad **MUST** be removed
- Rubber pads incorporated for traction
- Standard on V8 and V10

Door Sill Protection



7L0 071 305	Entry Door sill upgrade—Stainless Steel set of 2	Touareg	04 ►
7L0 071 300	Stainless Steel Illuminated Touareg logo		

Floor Mats – Monster Mats

Note: The oval retention clip is changing to a round retention clip, starting with some 2007 model years. It is important to verify whether the vehicle in question has the oval retention clip, or the larger diameter new round style retention clip, which is a running change. Due to model year production dates, always confirm the retention clip configuration prior to sale.

Part No.	Description	Application
	Floor Mats	
	Deep Groove "Monster" Mats	Touareg
ZVW 379 006	Set of four, round retention clip	04
7L1 061 550H 041	Set of four, oval clips	05 ▶ 07 (09/06)
ZVW 379 006A	Set of four, oval retention clip	04
7L1 061 550HA 041	Set of four, new style round clips	07 (10/06) ▶

- High quality mats, made to take the abuse of an active life style
- Help protect vehicle carpet from snow, sand, mud, rain and slush
- Positive retention clip and a ribbed back help ensure mats stay in place



Floor Mats – OE



	Floor Mats - OE	Touareg
	Pearl Velour	
7L6 862 559C ***	left front, oval style	04 ▶ 07 (09/06)
7L6 862 559G ***	left front, new round style	07 (09/06) ▶
7L6 862 560C ***	right front, oval style	
7L6 862 560G ***	right front, new round style	
7L6 862 477C ***	left rear, oval style	
7L6 862 477G ***	left rear, new round style	
7L6 862 478C ***	right rear, oval style	
7L6 862 478G ***	right rear, new round style	

***Color Code: **QRK** Black, **QRL** Gray, **QRN** Beige

3D0 898 501 ***	1 set Mat securing parts, oval clips	06 ▶
3D0 898 501B ***	1 set Mat securing parts, new style round clips	
3C0 061 795 9B9	1 set of 4 Mat clips, new style round clips	

***Color Code: **71N** Black, **5J6** Gray, **7G8** Beige

Self Threading Carpet Anchors:

 3D0 061 494 A	1 set of 4 self threading anchors, Phillips head
 3D0 061 796	1 set of 4 self threading anchors, twist-knob head

Note: The oval retention clip is changing to a round retention clip, starting with the 2007 model year: "C" part numbers fit oval retention clips, "G" part numbers fit new style round retention clips. Due to model year production dates, always confirm the retention clip configuration. Always refer to the ETKA system for current information.

Floor Mats – European Style

	Rubber Floor Mats	Touareg
7L1 061 501A	Front, set of two, oval retention clips	04 ▶ 07 (09/06)
7L0 061 511A 041	Rear, set of two, oval retention clips	
3D0 061 795 ***	1 set securing parts, front	06 ▶
3D0 061 796 041 ***	1 set securing parts, rear	

***Color Code: **041** Satin Black



Trunk Liner – Gorilla Gear



Part No.	Description	Application
7L0 061 166H 469	Gorilla Gear Trunk Liner includes Gorilla Grips, set of 4	Touareg 04 ▶

An ingenious trunk tray. Fits snugly in your trunk area, yet is easy to remove. Heavy-duty rubber backing makes the bottom rugged and durable. Stain-resistant looped Polywear makes the top easy to hose off. Comes standard with a set of four Gorilla-Grips.

- Not available for vehicles with dual climate AC

Gorilla Grips



ZVW 380 301	Gorilla-Grips set of 4	All
--------------------	---------------------------	-----

- Designed to work with the Gorilla-Gear Cargo Mat.
- Strong Velcro® backers fasten tightly to the looped polywear surface
- Perfect for grouping, dividing and protecting goods and cargo



Cargo Liner



Part No.	Description	Application
7L0 061 170	Cargo Liner	Touareg 04 ▶
7L0 061 175	Cargo Liner for vehicles with dual zone AC	Touareg 04 ▶

- The practical boot protection with Touareg logo is washable, non-slip, and acid resistant.
- Color - anthracite

Cargo Net – Floor



7L0 065 110	Cargo Net - Floor	Touareg 04 ▶
--------------------	-------------------	--------------

- Designed to help prevent movement of load in luggage compartment
- Fabric covered rubber with four fastening hooks
- Black, elastic

Cargo Nets – Side



Part No.	Description	Application
7L0 065 115	Side Cargo Net, left wall	Touareg
7L0 065 116	right wall	04 ▶

- Designed to secure smaller items
- Installs on side walls
- Black elastic netting

Cargo Partition



7L0 017 221	Cargo Partition (Metal)	Touareg	04 ▶
--------------------	-------------------------	---------	------

- Partition grille tubular frame, black steel mesh, with airbag
- Separates the luggage area from the passenger area between the rear seat back and roof liner.
- Can also be used on vehicles with head air bag

Cargo Partition Divider



Part No.	Description	Application
----------	-------------	-------------

7L0 017 222	Cargo Partition Divider Metal, upright, vertical	Touareg 04 ►
--------------------	---	--------------

- Partition grille tubular frame, black steel mesh
- Vertical mesh grating divides the cargo area when used in conjunction with the cargo partition
- Integrated partitions separates cargo

Trunk Organizer



Part No.	Description	Application
----------	-------------	-------------

ZVW 386 002	Touareg Trunk Organizer with Touareg logo	Touareg 04 ►
--------------------	--	--------------

ZVW 386 001	Trunk Organizer with VW logo	
--------------------	---------------------------------	--

- Spring loaded set-up with Integrated partitions to organize cargo
- Durable ABS plastic, anti-bacterial materials
- Restraining straps and d-rings prevent sliding, and the molded grab handles ensure easy handling
- Folds flat for convenient storage
- Dimensions
Closed: 14.5" x 25" x 2"
Opened: 14.5" x 25" x 7"

Blackened Tail Lamps

Part No.	Description	Application
----------	-------------	-------------



Blackened Tail Lamps

Touareg

04 ► 07

7L6 945 093 AA	Driver side, outer lens
7L6 945 095 N	Driver's side, inner lens
7L6 945 094 T	Passenger side, outer lens
7L6 945 096 N	Passenger side, inner lens

- Update your Touareg to have a 2008 look
- Detailed information can be found on ETKA (2008)

Front End Cover



Suggested Retail Labor Time: **50**

Part No.	Description	Application
ZVW 193 107	Front End Cover 2 piece set complete	Touareg 04 ▶ 07

Designed for the protection of those finished front end surfaces most susceptible to damage from flying road debris. For user convenience, engine compartment opens without detachment of cover. Constructed for fitting to the vehicle with combinations of padded hi-flex metal tabs, coated hooks and elastics especially suitable for DIY installation, without drilling. Heat sealed trim outlines are provided for access openings for auxiliary lights, front license plates and headlight washers, as may be required. Vehicle Model Name in logo-type embroidered in silver thread.

Made from premium grade materials to ensure optimum useful service life:

- High gloss vinyl of 14 oz./sq. yd. weight, UV and mildew resistant, with backing of 8 oz./sq. yd. polyester foss
- High tensile strength polyester binding used on all seams and edges
- All fasteners (tabs, hooks, elastics) enveloped and surface protected with non-corrosive covered/sheathing

Note: Not applicable with Electronic Parking Sensor

It is recommended that the area to be covered be washed. Vehicle and front-end cover must be completely dry prior to installation. Waxing the hood prior to installation of the front-end cover will also help reduce the chance of damage. If underside of front-cover gets wet or soiled: remove, clean and dry completely. Do not allow front-end cover to dry on vehicle. Painted surfaces may cloud.

Important: Remove and clean front-end cover and front end at least once a month or when they become soiled.

On recently refinished surfaces, allow paint to cure completely prior to installation.

To clean front-end cover, hand wash with mild automotive detergent. Rinse thoroughly and hang front-end cover to air dry.

Do not machine dry.

Front-end cover should be completely dry before storage.

See Accessory Circular #022-08-06 UCF for additional information

Car Cover



Part No.	Description	Application
ZVW 400 107	Car Cover – “Stormshield” grey, with silk screened logo complete with storage bag	Touareg 04 ▶

- High degree of moisture repellence and breathability
- Long life ultraviolet (UV) resistance
- Resistance to dust, acid rain, tree sap and other airborne particulate matter
- Light weight for easy installation and removal
- Custom mirror pockets
- Plastipane rear license plate window
- Double stitch seams for strength and long life
- Elasticized hems for fit and stability and tie-down grommets

Important Notes

Do not use a cover on a vehicle which has been repainted within the last 6 months.

If your vehicle has delicate paint, such as lacquer, exercise caution. Some repainted vehicles are not painted properly and may blister.

If there is excessive wind and your cover is flapping against your vehicle, remove the cover.

Do not cover a vehicle while it is being towed.

If a haze appears on your windows after covering your vehicle, it is caused by airborne pollution. Wash your cover.

Troubleshooting

The main problems people encounter with their cover is residual thread or lint left on the vehicle after covering it.

This is just excess material left over from the manufacturing process, and will stop after the first two weeks of use.

See Accessory Circular #027-08-06 UCF for additional information

ZVW 400 110	Cover Cable and Lock set	All
-------------	--------------------------	-----

The nonscratching plastic coated cable slides through the special sewn-in grommets, and the lock keeps the cover secured to the vehicle.



Roof Carrier System - Base Carrier Bars



Part No.	Description	Application
7L0 071 126A *** 041 Satin black 666 Silver	Base Carrier Bars, lockable set of 2 cross bars complete with mounting instructions and hardware	Touareg USA 04 ▶ 07 CAN 04 ▶

Two plastic-coated aerodynamic aluminum cross bars. Anodized aluminum section. Plastic supporting feet, cover caps and covers. Galvanized plastic coated steel plate. The lockable unit has built-in cylinder locks mounted into the full length end bracket covers.

Bar dimensions: 1350 x 180 x 270 mm / weight: 7.0 kg

The maximum permissible roof load is 165 lbs/75 kg, evenly distributed. Consult your Owner's Manual for weight specifications.

Roof Carrier System - Carrier Bars for vertical roof bars



Part No.	Description	Application
7L0 071 151 666	Base Carrier Bars silver	Touareg 07 ▶

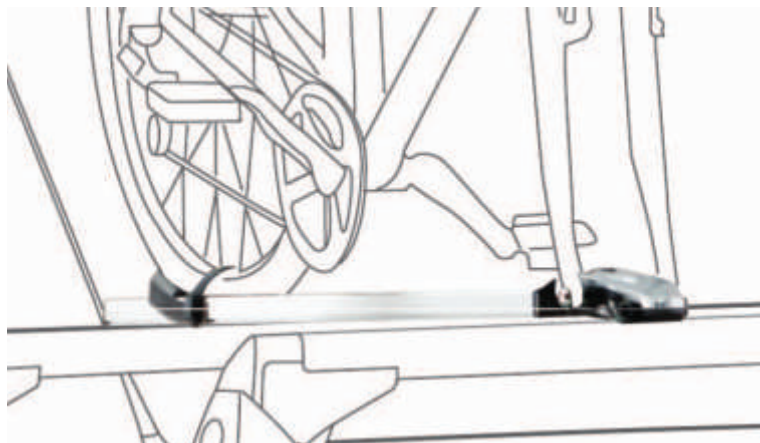
- For models equipped with vertical roof bars

Two plastic-coated aerodynamic aluminum cross bars. Anodized aluminum section. Plastic supporting feet, cover caps and covers. Galvanized plastic coated steel plate. The lockable unit has built-in cylinder locks mounted into the full length end bracket covers.

Bar dimensions: 1350 x 180 x 270 mm / weight: 7.0 kg

The maximum permissible roof load is 165 lbs/75 kg, evenly distributed. Consult your Owner's Manual for weight specifications.

Bike Carrier System

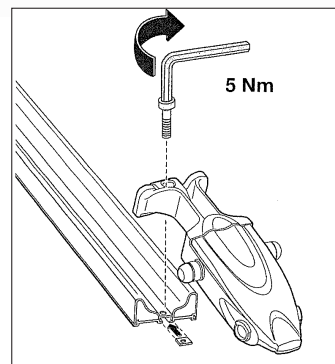
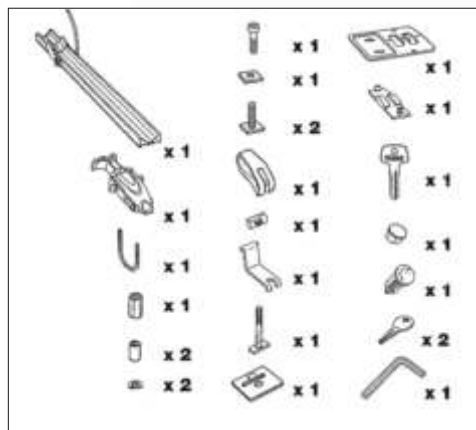
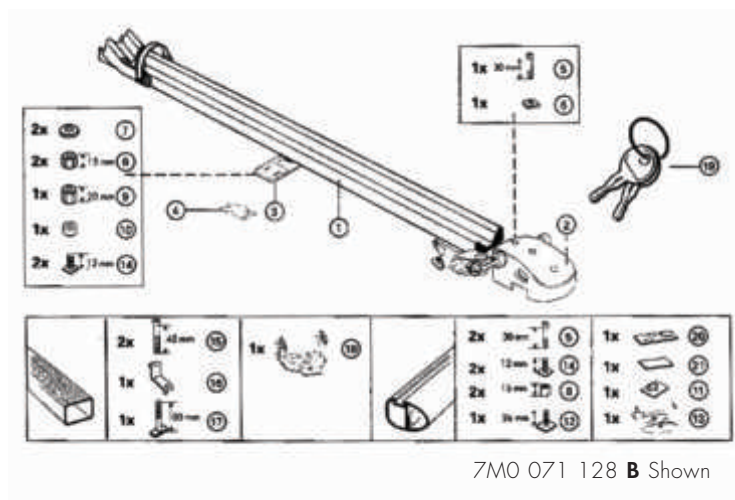


Part No.	Description	Application
7M0 071 128 C	Accepts bikes with disc brakes Bicycle holder for fork attachment Bike Holder dimensions: 1320 x 85 x 130 mm / weight: 2.8 kg Fits up to 3 racks (2 forward, 1 rear facing)	Fits All with Basic Carrier Bars

NOTE: The holding strap may not fit some of the largest downhill race tire sizes.

Single Components:

Description	Qty.	Part No.
Lock	1	1F0 071 267A
Loslager, Unterlegplatte	1ea.	1F0 071 737D
Spannband aus Radhalt.	1	1F0 071 740
Endkappen	2	1F0 071 745
Radhalterung	1	1F0 071 746



7M0 071 128 C
("C" version front fork mount)

Bike Carrier - Fork Mount

Cancelled 07/01/07



Part No.	Description	Application
7NV 862 260B	Cargo Carrier Base floor mount base	Touareg 04 ▶
7NV 862 260D	Fork Mount Attachment fits floor mount base	

- Secures up to 2 bikes in the cargo area

Luggage Platform



00H 071 130	Luggage Platform complete with mounting hardware and instructions	Fits All with Basic Carrier Bars
-------------	---	-------------------------------------

Basket dimensions: 1140 x 120 x 950 mm / weight: 10.0 kg

- Provides shallow tray
- Pre-assembled
- Aluminum construction

Trailer hitch mounted bike rack



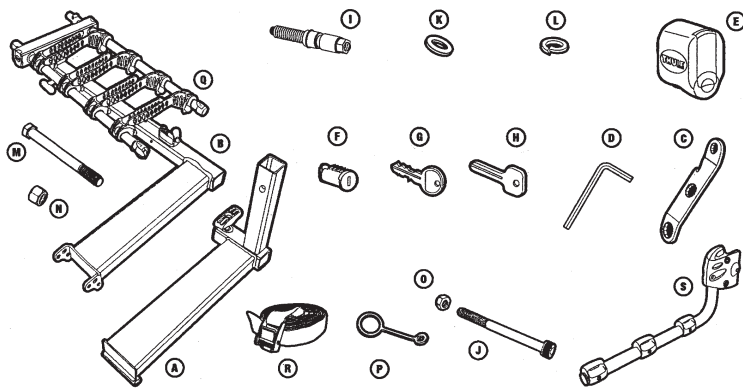
Part No.	Description	Application
----------	-------------	-------------

710 071 105U	Trailer Hitch Mounted Bike Rack complete with mounting hardware and instructions	Any with 2" receiver and bike mount
---------------------	--	-------------------------------------

- Trailer hitch required
- Maximum of 4 bikes in adjustable non-marring cradle
- Bike arm assembly tilts down when not in use
- Locking cable built into arm assembly
- Bike rack swings out of way for access to rear hatch

Single Components

Item	Description	Qty.
A	Hitch assembly	1
B	Bike arm assembly	1
C	Hitch tool	2
D	5mm hex key	1
E	Snug Tite™ lock	1
F	Lock cylinders	2
G	Locking key	2
H	Change key	1
I	Hitch pin assembly	1
J	M6 x 70 socket screw	1
K	M12 washer	3
L	M12 lock washer	1
M	1/2 - 13 bolt x 5.5"	1
N	1/2 - 13 lock nut	1
O	Plated nyloc nut	1
P	Pin keeper	1
Q	Cradle	8
R	Strap	4
S	Zip Stick #950	1



NOTE: Thule is conducting an active recall on this product (Thule 998 Trailblazer bike rack P/N 710 071 105 U). It involves a pinch point that can be easily fixed with a retrofit kit from Thule. To obtain your kit please call Thule at 800-Thule91 (800-848-5391) provide your name and address, and follow the instructions to install the additional parts. You can also visit www.thuleracks.com for more information.

Trailer hitch mounted ski rack



Part No.	Description	Application
7L0 071 129U	Trailer Hitch Mounted Ski Rack complete with mounting hardware and instructions	Touareg 04 ►

- Must use 2" towing hitch, **7L0 092 101U**, and Bike Mount, **7L0 071 105U**.
- Maximum of 6 skis or four snowboards

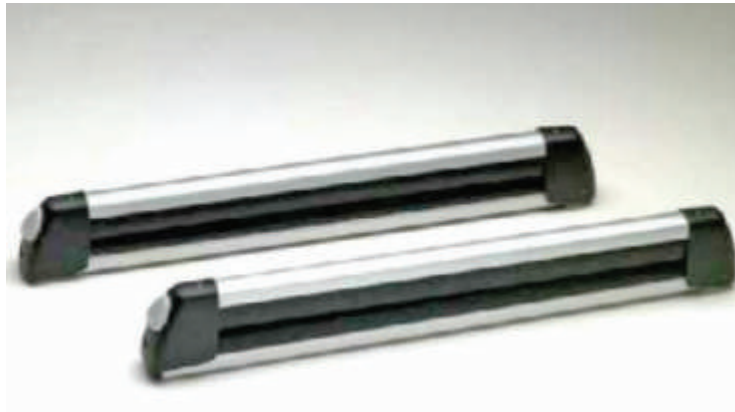
Soft Luggage Carrier



ZVW 193 800	Soft Luggage Carrier and Luggage Basket 191 071 130 F or Luggage Platform 00H 071 130	All
--------------------	---	-----

- Heavy duty
- Weather proof
- Black polyester construction
- Accommodates 7.7 cubic feet of cargo
- 6 tie-down straps with quick release buckles
- Covered zipper

Snowboard/Ski Attachment



Part No.	Description	Application
3B0 071 129 UA	Snowboard/Ski attachment – lockable complete with mounting hardware	Fits All with Basic flat Carrier Bars

- Carries four pairs of skis or two snowboards
- Perfect blend of styling, quality and rugged design
- Installs quickly on base carrier and features an oversized push button locking hood that allows for easy opening and closing with gloves on
- Wide semi-rigid rubber profile design provides a snug secure fit for snowboard or skis

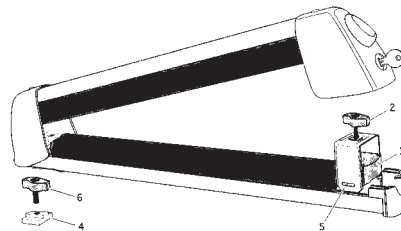
Ski Rack dimensions: 790 x 130 x 130 mm / weight: 3.6 kg

Single components – Snowboard/Ski attachment **3B0 071 129 UA**

Key

No.	Description	Qty.
1	Ski/Snowboard carrier	2
2	Wing bolt, M6x35	4
3	Spacer block	4
4	Keyway, M6	4
5	Retaining clip	4
6	Wing knob, M6x20	2
7	Key	2

Attachment Kit
3B0 071 737A



Snowboard/Ski Attachment – Deluxe Sliding



Part No.	Description	Application
1T0 071 129	Deluxe Snowboard/Ski attachment – lockable complete with mounting hardware	Touareg 04 ▶ w/carrier bars

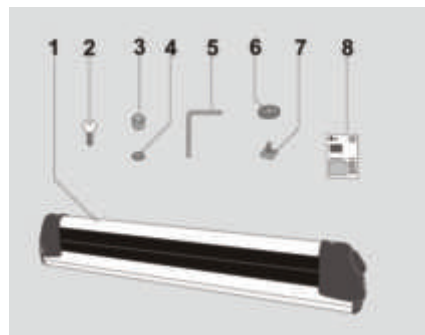
- Shown with required adapters **7L0 071 270S**
- For maximum of 6 pairs of skis or 4 snowboards
- Easy to load and unload with a practical pull-out action
- Lockable
- Made from anodized aluminum section

Ski Rack dimensions: 835 x 130 x 130 mm / weight: 4.8 kg

Single components – Snowboard/Ski attachment **1T0 071 129**

Key

No.	Description	Qty.
1	Ski/Snowboard holder	2
2	Key	2
3	Allen nut M6	4
4	Spring washer	4
5	Allen key SW5	1
6	Plastic washer	4
7	T-bolt M6x16	4
8	Fitting instructions	1



Carrier Bar Adapters for vertical roof bars

7L0 071 270 S	Adapters for Base Carrier Bars for vertical roof bars	Touareg USA 04 ▶ 07 CAN 04 ▶
----------------------	---	---------------------------------

- For models equipped with vertical radius roof bars
- Adapter for **1J0 071 129** shown above



Kayak Holder



Part No.	Description	Application
1K0 071 127	Kayak Rack Attachment	Touareg w/carrier bars 04 ▶



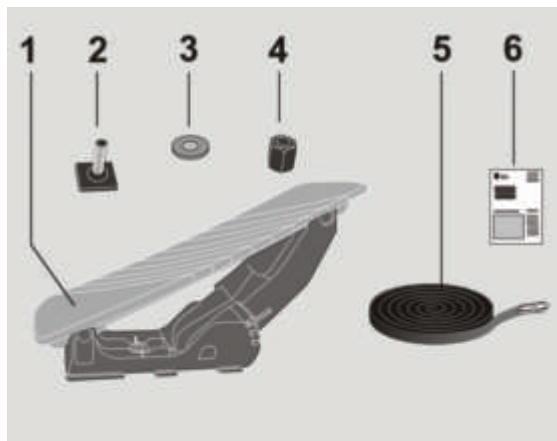
- 4 rubber coated holders which adapt to the shape of the kayak
- Tie straps included
- Holds one kayak

Rack dimensions: 480 x 190 x 120 mm / weight: 1.75 kg
 Load maximum: 55 lb/25 kg. Consult your Owner's Manual for weight specifications and important safety information.
 Maximum kayak length: 8 ft. 2 in./2.4 m

Single components – Kayak attachment – 1K0 071 127

Key

Item	Description	Quantity
1	Kayak holder	4
2	Slide block M6 x 22	4
3	Washer M6	4
4	Hex nut M6	4
	15mm high	
5	Tensioning strap	2
	approx. 4.000 mm	
6	Fitting instructions	1



Splash Guards

Suggested Retail Labor Time: **40**



Part No.	Description	Application
7L0 075 111	Splash Guards, front set of 2 with mounting hardware matte black	Touareg 04 ▶
7L0 075 101 or 7L0 075 101A	Splash Guards, rear set of 2 with mounting hardware matte black	

Single Components:

7L0 075 711 Front Fastening kit

7L0 075 701 Rear Fastening kit

- Designed for a flush contour fit to help ensure body protection
- Temperature resistant material tested under extreme driving conditions

Splash Guard Extensions



7L0 075 112	Splash Guard Extensions, front set of 2 with mounting hardware matte black	Touareg 04 ▶
7L0 075 102 or 7L0 075 102A	Splash Guard Extensions, rear set of 2 with mounting hardware matte black	

Hood Bug Deflector

Suggested Retail Labor Time: **50**



Part No.	Description	Application
7L0 072 193	Acrylic Bug Deflector complete with mounting hardware matte black	Touareg 04 ▶

- High impact acrylic helps to prevent stone chipping on the leading edge of the hood
- Keep the hood free of bug debris, which is an annoyance in many areas
- Supplied with two-silicone "buttons" to prevent the deflector from moving back and making contact with the hood
- Does not block access to the hood release
- Molded to fit the contours of the Touareg

Stainless Steel Grill Strips



7L0 071 550 1ZL	Stainless Steel Grill Strips complete with mounting hardware	Touareg 04 ▶ 07
------------------------	--	-----------------

7L6 853 651A V7S or 7L6 853 651C B41	V10 Chrome Grill Strips complete with mounting hardware
--	---

- Stainless steel withstands the elements
- Attaches to the existing factory location
- Provides a unique, custom look
- VW center logo not included with grille
- Gives your V6 or V8 that V10 look

Alloy Wheels

A note about our wheel and summer performance tire assemblies: Our high performance wheel and tire assemblies as well as some of the tires required for our larger diameter accessory alloy wheels are designed for optimum performance and handling in warm climates. They are not suitable for cold, snowy, or icy weather conditions. If the car is driven under those circumstances, the vehicle should be equipped with all-season or winter tires which offer better traction under those conditions. We suggest you use the recommended winter or all season tire specified for the vehicle or its equivalent. These high-performance tires also have a lower aspect ratio that aids performance and handling; however, in order to avoid tire, rim, or vehicle damage, it is important that the inflation pressure is regularly checked and maintained at recommended levels. Please also remember in making your selection that, while these tires deliver responsive handling, they may ride less comfortably and make more noise than other choices. Finally, these tires may wear more quickly than other choices. For further information on all these topics, please consult the vehicles owner's manual or call your facing Parts Distribution Center.

Part No.	Description	Application
----------	-------------	-------------

7L0 071 497 666	7 spoke light alloy wheel 7.5J x 17 ET55 Brilliant/Silver Metallic	Touareg VR6	235/65 R17
------------------------	--	----------------	------------

- Attractively designed rim
- The alloy wheel is supplied 1 per box complete with VW Hub Cap
- Uses standard wheel bolts and rubber valve

Single Components

7L6 601 149 QLD	Center Hub Cap – VW
------------------------	---------------------



Tangis

7L0 071 498 1ZL	5-spoke Light Alloy Wheel 8J x 18 ET 57 Brilliant/Silver Metallic	Touareg VR6, V8, V10	255/55 R18
------------------------	---	-------------------------	------------

- Attractively designed rim
- The alloy wheel is supplied 1 per box complete with VW Hub Cap
- Uses standard wheel bolts and rubber valve

Single Components

7L6 601 149	Center Hub Cap – VW
--------------------	---------------------



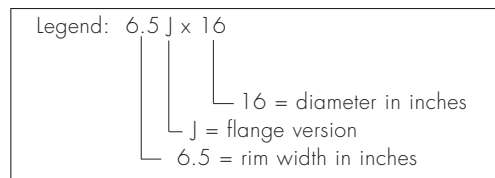
Karthoum

7L0 071 499 666	7-spoke Light Alloy Wheel 9J x 19 ET 60 Internal titanium/external mirror finish	Touareg VR6, V8, V10	275/45 R19
------------------------	--	-------------------------	------------

- Attractively designed rim
- The alloy wheel is supplied 1 per box complete with VW Hub Cap
- Uses standard wheel bolts and rubber valve


Single Components

7L0 071 214	Center Hub Cap – VW
--------------------	---------------------



Namib

Alloy Wheels

Part No.	Description	Application	
7L6 601 025K 8Z8	7 spoke Light Alloy Wheel 8J x 18 ET 57 Diamond Silver	Touareg V8, V10TDI, W12	255/55 R18
<ul style="list-style-type: none"> • Attractively designed rim • The alloy wheel is supplied 1 per box. VW Hub Cap not included. • Uses standard wheel bolts and rubber valve 			
Single Components 7L0 601 149G 8Z8 Center Hub Cap – VW			

Valley

Lockable Wheel Bolts

000 071 599	Lockable Wheel Bolts set of 4, 2-Piece complete with matched key	Touareg	04 ▶
--------------------	---	---------	------

Locking wheel nuts M14x1.5x35 with spherical collar and wheel bolt caps



Sun Roof Air Deflector



7L0 072 192	Air Deflector – Sunroof kit complete with mounting hardware, gasket and instructions	Touareg	04 ▶ 07
--------------------	--	---------	---------

The WeatherTech® Sunroof Wind Deflector gives you an excellent reduction of in-cabin wind noise and air turbulence! It is crafted in Germany from the finest 4mm thick, tinted cast acrylic. Our sunroof deflector fits the sunroof opening precisely, and is held securely in place with the MagiClip vehicle specific fastening system. To protect your vehicle's finish, the unique AirCushion gasket seals the edge of the deflector. WeatherTech Sunroof Wind Deflector's sleek and sophisticated look is a great addition to any vehicle.

- One-piece molded tinted acrylic Plexiglas
- One bracket per side clamps into the sunroof opening
- Installation without drilling

Skid Plate - Front



Part No.	Description	Application
7L0 071 608***	Skid Plate, front, w/o PDC kit complete	Touareg 04 ▶ 07
7L0 071 608 C***	Skid Plate, front, works with PDC & fog lights kit complete	08 ▶

- Made of ABS plastic (5mm)
- Painting not required
- Metallic gray
- Helps protect against undercarriage damage

Color Code:

2BC= Anthracite **666**= Silver

Skid Plate - Rear



7L0 071 611***	Skid Plate, rear, w/o PDC kit complete	Touareg 04 ▶ 06
7L0 071 611 A***	Skid Plate, rear, works with PDC	08 ▶

- Made of ABS plastic (5mm)
- Painting not required
- Metallic gray
- Helps protect against undercarriage damage
- Not applicable with Electronic Parking Sensor

Color Code:

2BC= Anthracite **666**= Silver

Fender Flares



Part No.	Description	Application
7L0 071 680 U 9AX	Fender Flares 10-Piece kit complete (black)	Touareg 04 ▶ 07

- The 10-piece wing expansion set protects the edges of the wings and gives the Touareg a professional offroad look.
- Painting of fender flare components to body color optional

NOTE: The adhesive needed to complete the assembly of these components is not included in the kit. Contact your local body shop supply firm to obtain the proper adhesive such as "DOW Betaseal 17042 Advanced Cure Urethane" or equivalent.

Mirror Caps



7L0 072 530 1ZL	Mirror Caps, Chrome	Touareg 04 ▶ 07
7L0 072 530 666	Mirror Caps, Gray Can be painted	

- Consisting of 2 cover parts (left, right)
- Installs with double-sided adhesive tape

Roof Edge Spoiler



Part No.	Description	Application
7L0 071 640 9AX	Rear Spoiler roof edge kit complete	Touareg 04 ▶ 07

- Quickly and easily fitted by bonding spoiler to the tail gate
- Pre-primed
- Recommend painting to color of vehicle
- Enhance roof line of vehicle

Dealer Drop Ship Program

Color Codes:

A5G	Pearl Blue	A5W	Ravenna Blue
D7U	Off Road Gray	041	Black
B3Y	Colorado Pearl	D1W	Wheat Beige
A7W	Reflex Silver	C92	Black Magic
R9A	Campanella White	B5S	Silver Blue

Chrome Rear Accent



7L0 071 360	Rear Strip—Chrome Look 1 set includes 1 strip, fitting instructions & cleaning cloth	Touareg 04 ▶
--------------------	--	--------------

- Enhancement of vehicle
- Scratch and impact resistant surface
- High gloss with strong three dimensional effect
- Self-adhesive

Exhaust Tips



V8 Shown



V6 Shown

Part No.	Description	Application
71L 071 910	Exhaust Tips, dual round set of 2 V8 and V10TDI compatible VR6 compatible	Touareg 04 ▶ 07 08 ▶

- Stainless steel tips
- Rolled edges
- Bolt on
- Easy fit



ZVW 806 003	Exhaust Tips, dual oval set of 2	Touareg VR6 Only	04 ▶ 07
--------------------	----------------------------------	---------------------	---------

- Stainless steel tips
- Rolled edges
- Welded on

Close Out

Chrome Step Bars

Limited Replacement Parts Only



Part No.	Description	Application
7L0 071 690 Z31	Step Bar kit complete	Touareg 04 ► 07

- Chromed tubular steel step bar
- Attach beneath doorsills
- One piece construction
- Plastic step pads

Replacement cap and rubber pads are available by emailing your facing PDC

Aluminum Step Bars

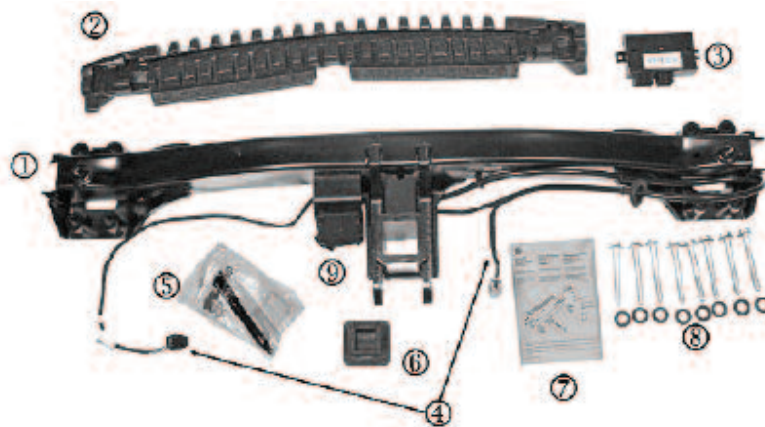
NOTE: 000 093 051 or **7L0 012 02B** Scissor Jack kits **MUST** be purchased for use with aluminum side steps.



7L0 071 691 666	Aluminum Side Steps set of 2	Touareg 04 ►
-----------------	------------------------------	--------------

- Extend the full length of the rocker panel from wheel well to wheel well for ease of entry into the vehicle.
- Has rubber anti-slip inserts running their full length to provide secure footing when entering the vehicle or loading the roof rack.
- Are 15% wider than old tubular style
- Protect rocker panel from brush when driving off-road
- Aluminum construction - will resist rust.
- Attach easily

Trailer Hitch (w/o ball, mount, connector)





Part No.	Description	Application
7L0 092 105 UA	Trailer hitch (w/o ball, mount,connector)	Touareg 04 ▶

- 1 . . . Towing hitch (includes 4 and 9)
- 2 . . . Foam insert
- 3 . . . Electronic control unit
- 4 . . . Wiring harness
- 5 . . . Installation Hardware (includes 10x cable Tie; 3x Fuse, 15 amp; 1x Fuse, 30 amp; Warning Label)
- 6 . . . Plug, receiver tube
- 7 . . . Installation instructions
- 8 . . . 8x Hexagonal flange bolt, M12x1, 5x100 10.9 with 8x Seal Ring
- 9 . . . Cover plate, electrical connector

- Maximum total trailer weight 7,700 lbs. braked; 1,650 lbs. unbraked
- Maximum tongue weight 770 lbs.
- Never use weight distributing hitch
- No drill installation
- Electric brake module booster not pre-installed in vehicle

For important general information about safe towing see: www.nhtsa.gov/cars/problems/equipment/towing/towing.pdf

7L0 092 770 UA	Ball mount with 2" ball, hook pin and key	
-----------------------	---	---

7L0 055 305 UA or ZVW 808 007*	7-Pin Connector with car flap box	
--	-----------------------------------	---

ZVW 808 003	7-pin to 4 or 5-pin adapter *
--------------------	-------------------------------

ZVW 808 005	7-pin to (round) 6-pin adapter *
--------------------	----------------------------------

ZVW 808 004	7-pin to 7-pin harness (mounts on trailer) *
--------------------	--

ZVW 808 025	Universal 2" Receiver Cover built-in connection holder for a 4-pin if needed	
--------------------	--	--

* Part comes in Valley Industries packaging and will be covered by their manufacturer's warranty. The Volkswagen warranty does not cover these parts.

NOTE: If you are installing on a Touareg **built prior to MY 2004 VIN # WV8GC77L74D085096**, you will also require eight (8) sleeves, **Part # 7L6 801 670**, to adapt the original 14mm rear bumper mounting holes to receive the current 12mm mounting bolts.

See Accessory Circular **#019-08-06UCF** for additional information

Classic Luggage Basket



Passat shown

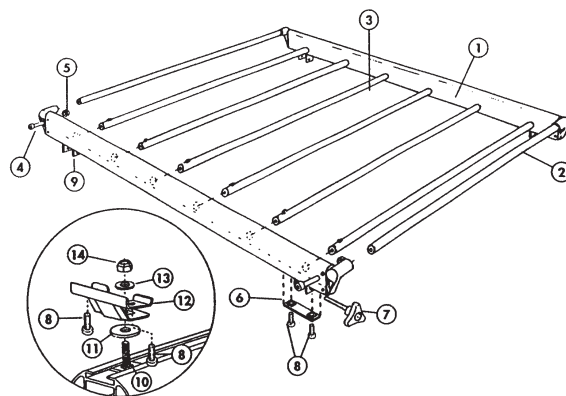
Part No.	Description	Application
191 071 130 F	Classic Luggage Basket complete with mounting hardware and instructions	Fits All with Basic Carrier Bars

- Galvanized steel, black plastic coated
- Transverse end tubular bars, front and rear, are adjustable:
 Closed: up position forms a luggage basket
 Open: down position forms a loading platform

Luggage Basket dimensions: 1120 x 70 x 200 mm / weight: 6.8 kg

Single components - Luggage Basket 191 071 130 F

Key No.	Description	Qty.	Part No.
1	Side Section	2	
2	Retaining bar	1	191 071 736 B
3	Supporting bar	1	191 071 736 E
7	Capstan head screw	4	191 071 739
	Mounting Kit		191 071 736 D
4	Self tapping screws	12	
5	Plastic washer	12	
6	Hex head bolt	8	
10	Threaded shackle	4	
11	Hex head nut	4	
12	T-shaped keyway insert	4	
13	Shackle	4	
14	U-shaped shackle	4	
	Set of Screw Connectors		191 071 743 C
	6 Hex head bolt	8	
	9 Hex head nut	4	
	8 Slotted bolt	4	



Alloy Wheels

Part No.	Description	Application
----------	-------------	-------------

7L0 071 025AK 8Z8	10 spoke light alloy wheel 7.5J x 17 ET 55 Diamond Silver	Touareg V6, V6TDI
--------------------------	---	----------------------

- Attractively designed rim
- The alloy wheel is supplied 1 per box. VW Hub Cap not included.
- Uses standard wheel bolts and rubber valve

Single Components

7L6 601 149 QLD	Center Hub Cap – VW
------------------------	---------------------



Makalu

7L6 601 025AM 8Z8	10 spoke Light Alloy Wheel 9J x 19 ET Diamond Silver	Touareg V8, V10TDI, W12
--------------------------	--	----------------------------

- Attractively designed rim
- The alloy wheel is supplied 1 per box. VW Hub Cap not included.
- Uses standard wheel bolts and rubber valve

Single Components

7L0 601 149 QLD	Center Hub Cap – VW
------------------------	---------------------



Terra

7L6 601 025P 8Z8	10 spoke Light Alloy Wheel 9J x 20 ET 60 Diamond Silver finish	Touareg V8, V10TDI, W12
-------------------------	--	----------------------------

- Attractively designed rim
- The alloy wheel is supplied 1 per box. VW Hub Cap not included.
- Uses standard wheel bolts and rubber valve

Single Components

7L6 601 149 QLD	Center Hub Cap – VW
------------------------	---------------------



Mountain

7L6 601 025AP 8Z8	5 spoke Light Alloy Wheel 9J x 20 ET 60 Satin Metallic finish	Touareg V8, V10TDI, W12
--------------------------	---	----------------------------

- Attractively designed rim
- The alloy wheel is supplied 1 per box. VW Hub Cap not included.
- Uses standard wheel bolts and rubber valve

Single Components

7L6 601 149A Z31	Center Hub Cap – VW
-------------------------	---------------------



Ayers Rock

Bike Carrier System



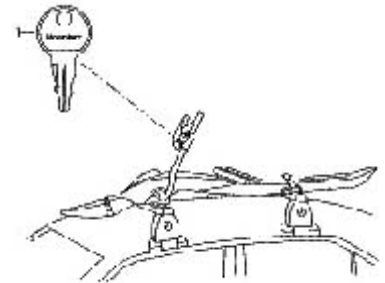
Part No.	Description	Application
6Q0 071 128 A	Bicycle Holder Attachment for 1 bicycle. Complete with mounting hardware and instructions	Fits All with "T Slot" Basic Carrier Bars

Bike Holder dimensions: 1580 x 180 x 290 mm / weight: 4.6 kg

- For transport of Touring, Mountain and Racing Bikes in an upright position.
- Built-in lock and rugged design prevents damage to valuable bicycles.
- Up to three (3) bicycles can be mounted using a staggered formation.
- **NOTE:** Some of the largest downhill race tire sizes may not fit.
- Maximum frame width=80mm, maximum tire width=56mm, maximum frame height=90mm

Part No.	Description	Application
000 092 795 AA	Code Keys 1 Set of Code Keys	Fits All MontBlanc Code 21
000 092 795 AB	1 Set of Code Keys	Code 23
000 092 795 AC	1 Set of Code Keys	Code 25
000 092 795 AD	1 Set of Code Keys	Code 27
000 092 795 AE	1 Set of Code Keys	Code 29

- Original replacement keys for Montblanc roof carrier and attachment parts

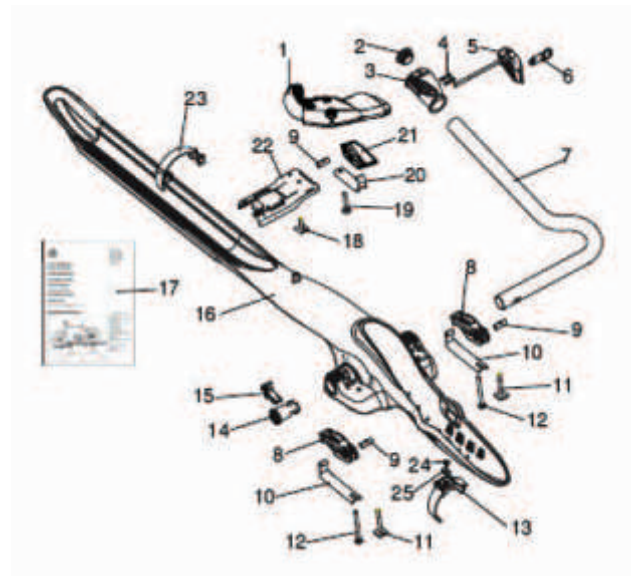


Single components

Bicycle Holder 6Q0 071 128 A

Key#	Description	Qty.	Key#	Description	Qty.
1Frame holder.....	1	14Securing sleeve	1
2Cap	1	15Locking device	1
3Tube clamp.....	1	16Wheel mount	1
4Screws (for plastic).....	2	17Fitting instructions	1
5Lever for frame holder.....	1	18T-screw, short	1
6Lock	1	19Screw, short.....	1
7Securing tube.....	1	20Securing bracket, rear	1
8Front lever	2	21Rear lever.....	1
9Pin	3	22Rear securing plate	1
10Securing bracket, front.....	2	23*Rear wheel holder.....	1
11T-screw, long.....	2	24Screw.....	1
12Screw, long	2	25Nut	1
13*Front wheel holder	1			

*Spare parts can be ordered under part # **6Q0 071 740**



Surfboard Holder



Part No.	Description	Application
000 071 120H	Surfboard Holder Attachment	Fits All Carriers with T-slot profile

The surfboard holder transports your surfboard safely to the destination. The surfboard and two masts are held in place by robust fastening fixtures. The rubber-coated surfboard supports and special rubber protection for metal clips on the retaining straps ensure the highest possible protection for your surfboard during transportation.

- Surfboard nose must point downwards in the direction of travel
 - Suitable for 1 surfboard and 2 masts only
- Includes:
- 2 Surfboard supports
 - 2 Retaining straps (275 cm each)
 - 2 Rubber caps
 - 4 Mast holders with retaining straps

Roof Box Carrier Attachment



Part No.	Description	Application
000 071 200G UKR	Roof Box Carrier Attachment Size: 84" L x 34.4" W x 16.9" H Weight: 44lbs.	Fits All Carriers with T-slot profile

Constructed using high impact, UV resistant ABS plastic with ridged base channeling to make a durable yet very lightweight box. The eye-catching design and styling features a lowered front and rear, with the base and the spoiler on the lid designed to enhance aerodynamic properties.

The one-key locking system features a user-friendly, padded key and readable decal. The locking system has a built-in safety feature which means the key can only be removed when box is fully closed. Three lock down points on each side of box - one central lock for each side.

- 18 sq. feet of storage space, enough room for snowboards, skis (modern shorter shape-skis only), watersport equipment, luggage and camping gear
- Dual-side opening allows you to access gear from either side of your vehicle
- Struts help lift the lid open and shut with ease
- Aerodynamic shape reduces wind drag and noise
- Quick Grip hardware mounts to crossbars quickly and easily
- One Key System (locks included) with two matching locks and two oversized padded keys
- Finished in Metallic Silver or Metallic Black (687B)
- Limited Lifetime Warranty provided by the manufacturer (Thule)